

Features and Benefits

- Loose tube, gel-filled construction
- Rodent-proof design
- Suitable for direct buried applications
- Color coded fibers and tubes for easy identification
- Available with up to 144 fibers

Applications

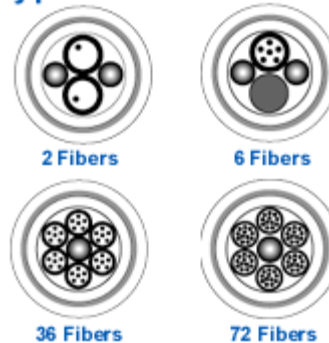
- Interbuilding backbone
- Direct buried applications
- Heavy traffic, severe installation environments

LTF Armored Cables



LTF Armored Cables are outdoor cables with corrugated steel armor between two jackets. These provide protection in direct buried or aerial applications in severe environments. The armor provides protection from rodent attacks and the loose tube, gel-filled core provides excellent environmental protection.

Typical Cross Sections



MECHANICAL SPECIFICATIONS

No. of Fibers	GP Part Number*	Nom. Cable Diameter Inch (mm)	Nom. Cable Weight Lbs/1000' (kg/km)	Min. Bend Radius		Max Vertical Rise Feet (Meters)
				Installation Inch (cm)	In-service Inch (cm)	
2	XX0023H1F	0.460 (11.7)	90 (134)	9.2 (15.0)	4.6 (11.7)	750 (229)
4	XX0044H1F	0.460 (11.7)	90 (134)	9.2 (15.0)	4.6 (11.7)	750 (229)
6	XX0064H1F	0.460 (11.7)	90 (134)	9.2 (16.3)	4.6 (11.7)	750 (229)
8	XX0084H1F	0.460 (11.7)	90 (134)	9.2 (15.0)	4.6 (11.7)	750 (229)
12	XX0124H1F	0.460 (11.7)	90 (134)	9.2 (16.3)	4.6 (11.7)	750 (229)
18	XX0184H1F	0.520 (13.2)	115 (171)	10.4 (19.6)	5.2 (13.2)	587 (179)
24	XX0244H1F	0.520 (13.2)	115 (171)	10.4 (19.6)	5.2 (13.2)	587 (179)
36	XX0364H1F	0.520 (13.2)	115 (171)	10.4 (21.1)	5.2 (13.2)	587 (179)
48	XX0484H1F	0.580 (14.7)	150 (223)	11.6 (23.1)	5.8 (14.7)	450 (137)
60	XX0604H1F	0.580 (14.7)	150 (223)	11.6 (23.1)	5.8 (14.7)	450 (137)
72	XX0724H1F	0.680 (17.3)	200 (298)	13.6 (25.1)	6.8 (17.3)	337 (103)
96	XX0964H1F	0.680 (17.3)	200 (298)	13.6 (29.0)	6.8 (17.3)	337 (103)
120	XX1204H1F	0.780 (19.8)	261 (388)	15.6 (32.8)	7.8 (19.8)	258 (79)
144	XX1444H1F	0.780 (19.8)	271 (403)	15.6 (34.3)	7.8 (19.8)	249 (76)

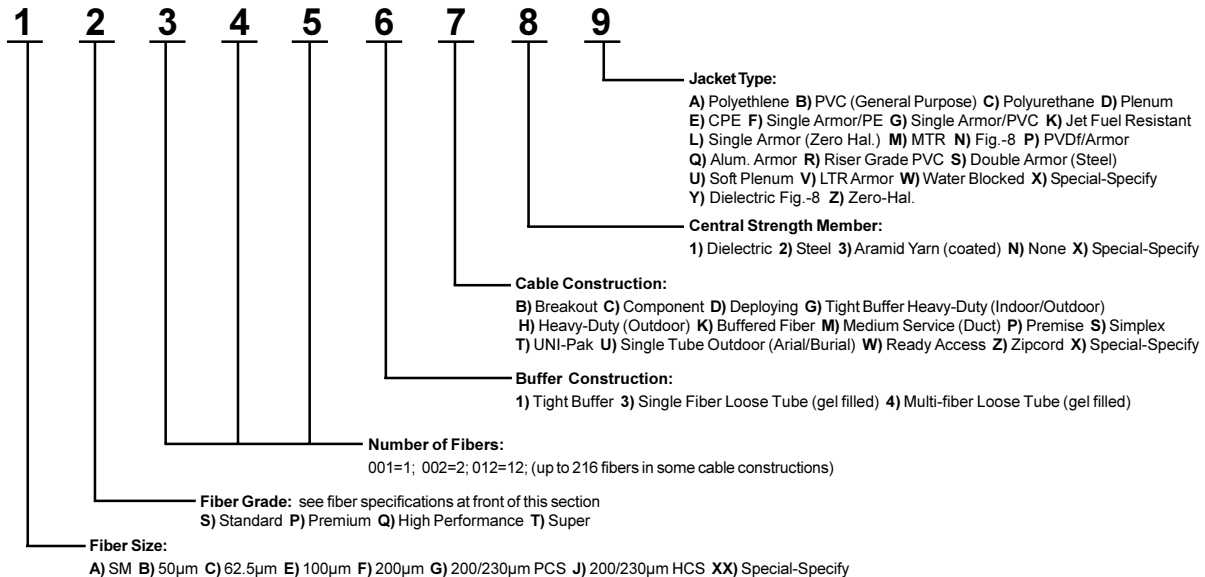
* XX denotes fiber type

GENERAL SPECIFICATIONS

Temperature:	-40°C (-40°F) to 80°C (176°F) Storag; -40°C (-40°F) to 80°C (176°F) In-Service
Central Strength Member:	Epoxy/glass rod
Cable Core:	Gel-Filled Loose Tubes
Outer Strength Member:	Aramid fiber yarn
Inner Jacket:	PVC
Armor:	.006" thick corrugated steel tape with ripcord under armor
Outer Jacket:	Black UV and moisture resistant polyethylene
Maximum Tensile Load:	Installation 600 Lbsf (2670 N) In-Service 135 Lbsf (600 N)
Maximum Crush Resistance:	500 Lbsf/in (675 N/cm)

ORDERING INFORMATION

Cable Part Numbering System



Color Coding

All BICC General cables, unless customized, follow the industry standard color code system for easy identification. Cables with 12 or fewer individual components will follow the color sequence: Blue, Orange, Green, Brown, Slate White, Red, Black, Yellow, Violet, Pink, Aqua.

For cables having more than 12 fibers, grouping is done following the same sequence for the subgroup and for the fibers within it. Example: 24 fiber loose tube cable with six fibers in each of four tubes—Tube colors will be blue, orange, green and brown. Each tube will have one each of fibers in the first six colors (blue, orange, green, brown, slate, white). Fibers are then identified by tube color/fiber color—blue/white being the white fiber in the blue tube.

When cables have more than 144 fibers, a black stripe is added to each of the first six colors in order to make 18 recognizable subgroups.

In some cable designs, jacketed subgroups may be numbered for identification in lieu of color coding.

FOR ADDITIONAL INFORMATION ON THIS OR OTHER PRODUCTS AND THEIR AVAILABILITY, PLEASE CONTACT FIBER OPTIC CENTER, INC.