

R1120

16-Bit RISC Microcontroller User's Manual

RDC *RISC DSP Controller*

RDC Semiconductor Co., Ltd

<http://www.rdc.com.tw>

Tel. 886-3-666-2866

Fax 886-3-563-1498

Contents

	page
1. Features	4
2. Block Diagram	5
3. Pin Configuration	6
4. Pin Description	9
5. Basic Application System Block & Read/Write timing Diagram	15
6. Oscillator Characteristics	20
7. Execution Unit	21
7.1 General Register	21
7.2 Segment Register	21
7.3 Instruction Pointer and Status Flags Register	22
7.4 Address Generation	23
8. Peripheral Control Block Register	24
9. System Clock Block	26
10. Reset	28
11. Bus Interface Unit	31
11.1 Memory and I/O Interface	31
11.2 Data Bus	31
11.3 Wait States	32
11.4 Bus Hold	33
11.5 Bus Width	35
12. Chip Select Unit	37
12.1 \overline{UCS}	37
12.2 \overline{LCS}	38
12.3 \overline{MCSx}	39
12.4 \overline{PCSx}	40
13. Interrupt Controller Unit	44
13.1 Master Mode and Slave Mode	44
13.2 Interrupt Vector, Type and Priority	45
13.3 Interrupt Request	46
13.4 Interrupt Acknowledge	46
13.5 Programming Register	47

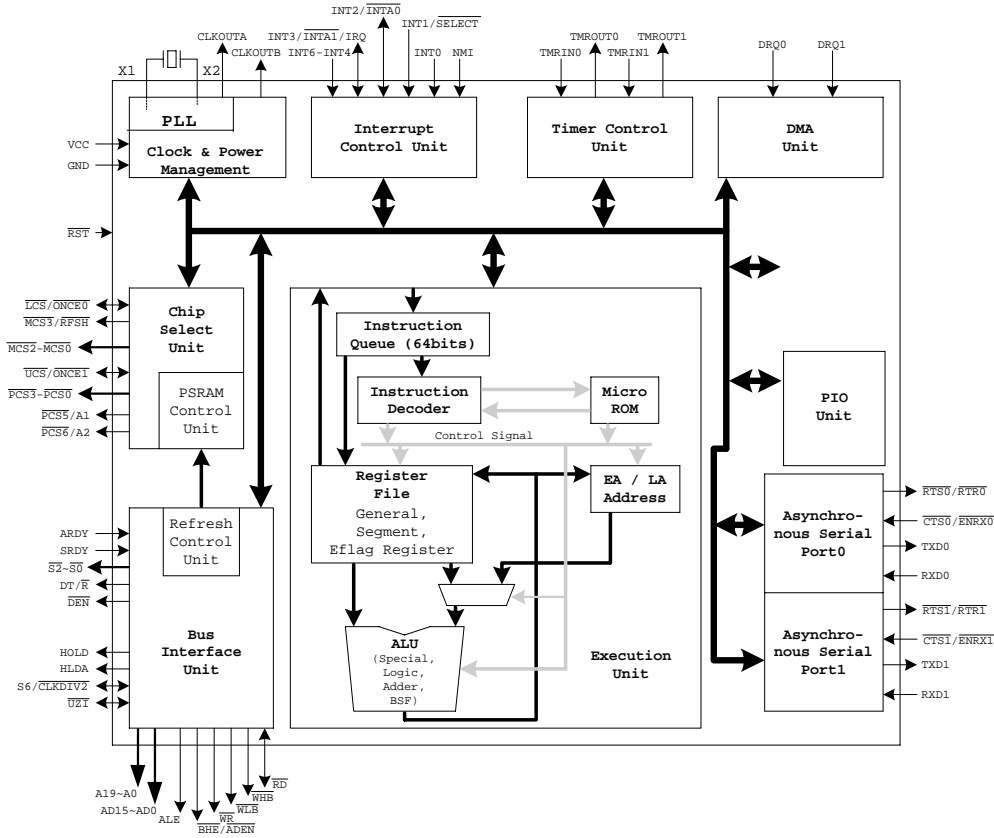
14. DMA Unit	61
14.1 DMA Operation	61
14.2 External Request	66
14.3 Serial Port / DMA Transfer	68
15. Timer Control Unit	69
15.1 Timer/Counter Unit Output Mode	75
16. Watchdog Timer	76
17. Asynchronous Serial Port	78
17.1 Serial Port Flow Control	78
17.1.1 DCE/DTE Protocol	78
17.1.2 CTS/RTR Protocol	79
17.2 DMA Transfer to/form a serial port function	79
17.3 The Asynchronous Modes description	80
18. PIO Unit	85
18.1 PIO Multi-Function Pin list Table	85
19. PSRAM Control Unit	88
20. Instruction Set Opcodes and Clock Cycle	89
20.1 R1120 Execution Timings	93
21. I/O Characteristics of each pin	94
22. Add DC/AC Characteristics	97
23. Package Information	112
24. Revision History	114
Appendix A	115

16-Bit Microcontroller with 16-bit external data bus

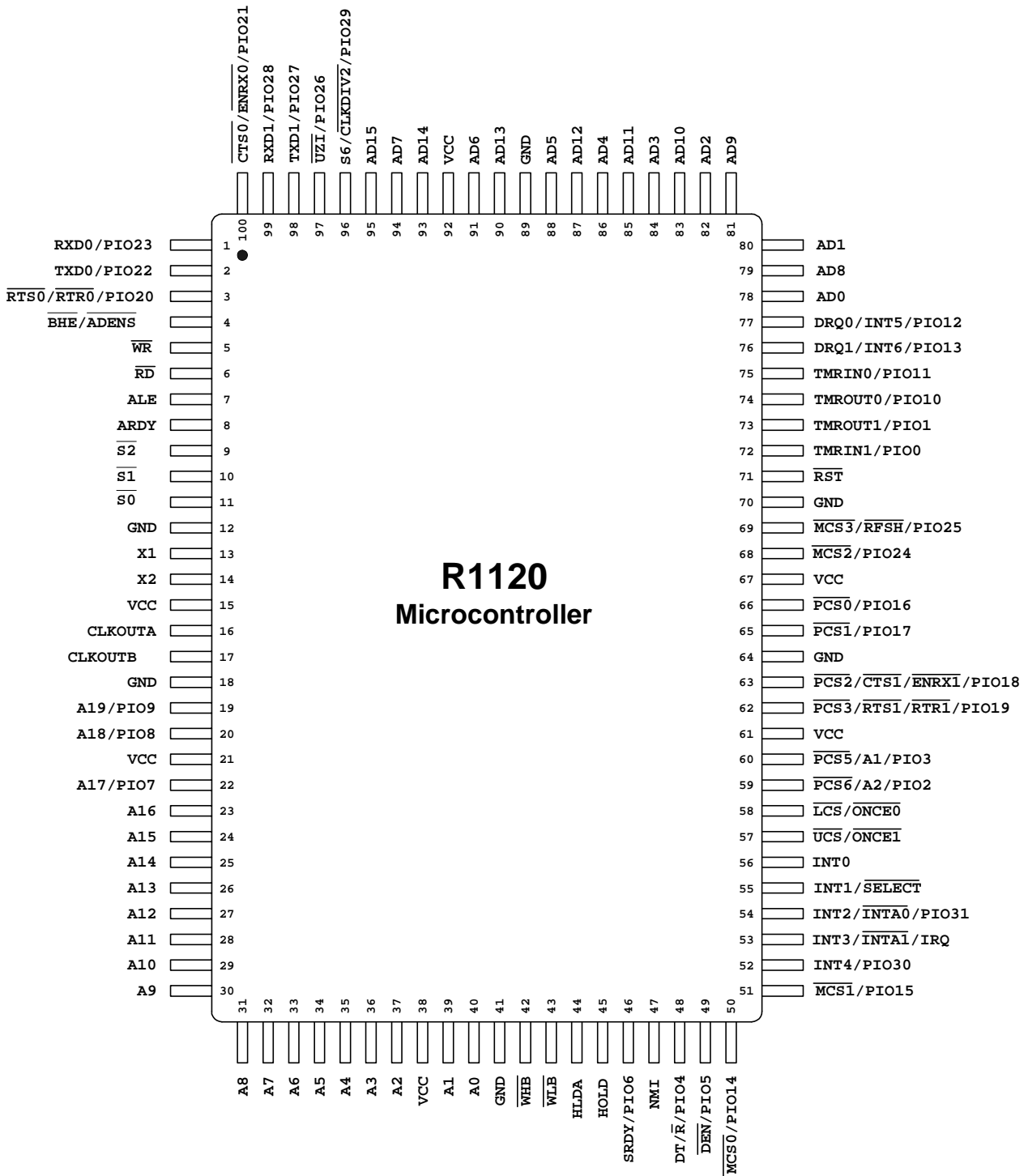
1. Features

- Five-stages pipeline
- RISC architecture
- Integrated PLL(*1~*8)
- Maximum frequency is 80 MHz, External bus, Internal bus and core are in the same clock base
- Static Design & Synthesizable design
- Bus interface
 - Multiplexed address and Data bus which is compatible with 80C186 microprocessor
 - Supports direct address bus [A19 : A0]
 - 1M byte memory address space
 - 64K byte I/O space
- Software is compatible with generic 80C186 microprocessor
- Support two Asynchronous serial channels with hardware handshaking signals.
- Support CPU ID
- Supports 32 PIO pins
- PSRAM (Pseudo static RAM) interface with auto-refresh control
- Three independent 16-bit timers and one independent watchdog timer
- The Interrupt controller with seven maskable external interrupts and one non-maskable external interrupt(NMI)
- Two independent DMA channels
- Programmable chip-select logic for Memory or I/O bus cycle decoder
- Programmable wait-state generator
- The I/O Pin output is 3.3 volt level and the input is 3.3 volt to 5 volt tolerance.
- 3.3V operation voltage
- Support serial port/ DMA transfers
- Boot ROM bus size with 8-bit or 6-bit

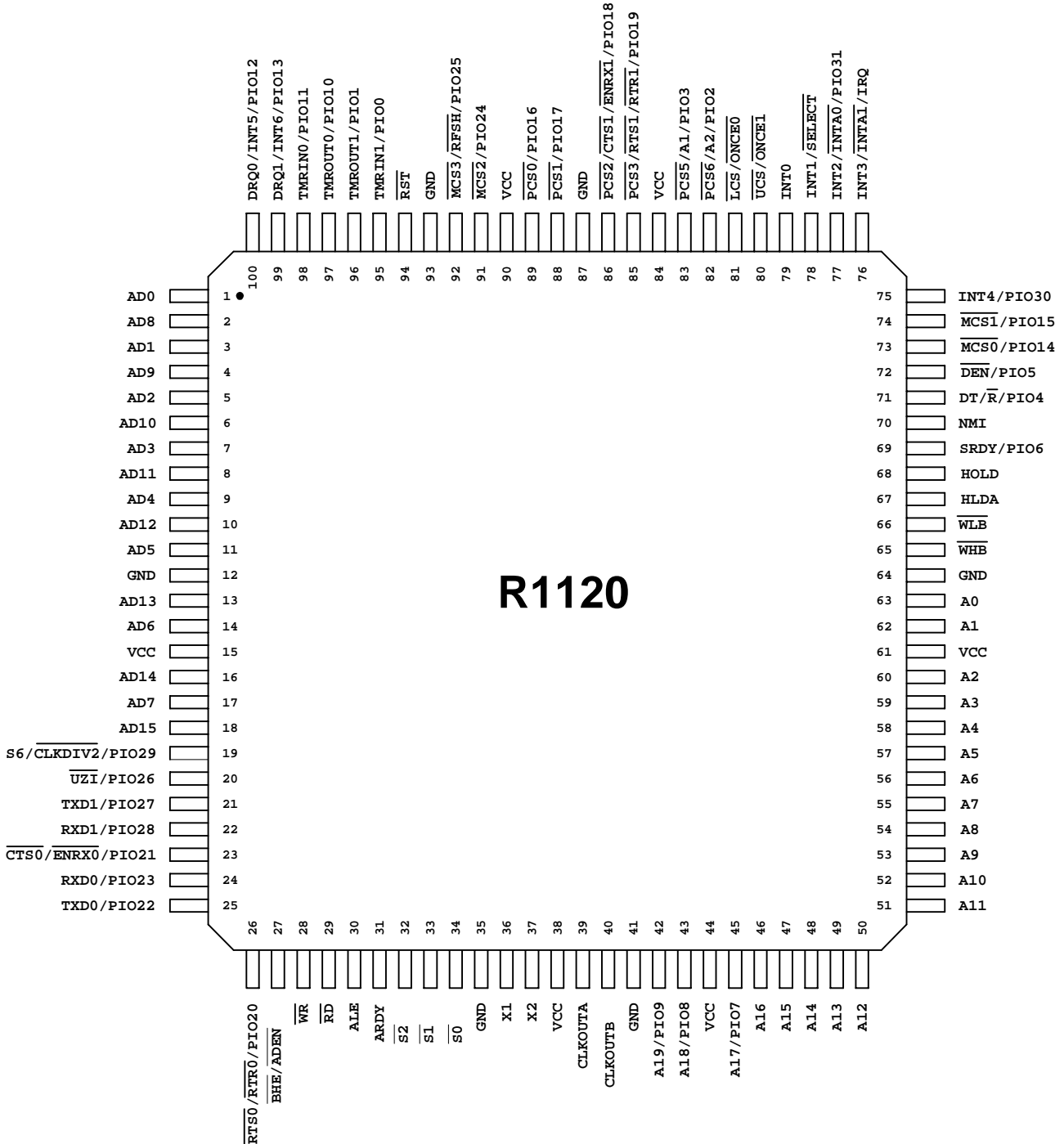
2. Block Diagram



3. Pin Configuration (PQFP)



(LQFP)



R1120 Pin OUT

Pin name	LQFP Pin No.	PQFP Pin No.	Pin name	LQFP Pin No.	PQFP Pin No.
AD0	1	78	A11	51	28
AD8	2	79	A10	52	29
AD1	3	80	A9	53	30
AD9	4	81	A8	54	31
AD2	5	82	A7	55	32
AD10	6	83	A6	56	33
AD3	7	84	A5	57	34
AD11	8	85	A4	58	35
AD4	9	86	A3	59	36
AD12	10	87	A2	60	37
AD5	11	88	VCC	61	38
GND	12	89	A1	62	39
AD13	13	90	A0	63	40
AD6	14	91	GND	64	41
VCC	15	92	\overline{WHB}	65	42
AD14	16	93	\overline{WLB}	66	43
AD7	17	94	HLDA	67	44
AD15	18	95	HOLD	68	45
$S6/\overline{CLKDIV2}/\overline{PIO29}$	19	96	SRDY/ $\overline{PIO6}$	69	46
$\overline{UZI}/\overline{PIO26}$	20	97	NMI	70	47
TXD1/ $\overline{PIO27}$	21	98	DT/ $\overline{R}/\overline{PIO4}$	71	48
RXD1/ $\overline{PIO28}$	22	99	$\overline{DEN}/\overline{PIO5}$	72	49
$\overline{CTS0}/\overline{ENRX0}/\overline{PIO21}$	23	100	$\overline{MCS0}/\overline{PIO14}$	73	50
RXD0/ $\overline{PIO23}$	24	1	$\overline{MCS1}/\overline{PIO15}$	74	51
TXD0/ $\overline{PIO22}$	25	2	I NT4/ $\overline{PIO30}$	75	52
$\overline{RTS0}/\overline{RTR0}/\overline{PIO20}$	26	3	I NT3/ $\overline{INTA1}/\overline{IRQ}$	76	53
$\overline{BHE}/\overline{ADEN}$	27	4	I NT2/ $\overline{INTA0}/\overline{PIO31}$	77	54
\overline{WR}	28	5	I NT1/ \overline{SELECT}	78	55
\overline{RD}	29	6	I NT0	79	56
ALE	30	7	$\overline{UCS}/\overline{ONCE1}$	80	57
ARDY	31	8	$\overline{LCS}/\overline{ONCE0}$	81	58
$\overline{S2}$	32	9	$\overline{PCS6}/\overline{A2}/\overline{PIO2}$	82	59
$\overline{S1}$	33	10	$\overline{PCS5}/\overline{A1}/\overline{PIO3}$	83	60
$\overline{S0}$	34	11	VCC	84	31
GND	35	12	$\overline{PCS3}/\overline{RTS1}/\overline{RTR1}/\overline{PIO19}$	85	62
X1	36	13	$\overline{PCS2}/\overline{CTS1}/\overline{ENRX1}/\overline{PIO18}$	86	63
X2	37	14	GND	87	64
VCC	38	15	$\overline{PCS1}/\overline{PIO17}$	88	65
CLKOUTA	39	16	$\overline{PCS0}/\overline{PIO16}$	89	66
CLKOUTB	40	17	VCC	90	67
GND	41	18	$\overline{MCS2}/\overline{PIO24}$	91	68
A19/ $\overline{PIO9}$	42	19	$\overline{MCS3}/\overline{RFSH}/\overline{PIO25}$	92	69
A18/ $\overline{PIO8}$	43	20	GND	93	70
VCC	44	21	\overline{RST}	94	71
A17/ $\overline{PIO7}$	45	22	TMRI N1/ $\overline{PIO0}$	95	72
A16	46	23	TMROUT1/ $\overline{PIO1}$	96	73
A15	47	24	TMROUT0/ $\overline{PIO10}$	97	74
A14	48	25	TMRI N0/ $\overline{PIO11}$	98	75
A13	49	26	DRQ1/ $\overline{INT6}/\overline{PIO13}$	99	76
A12	50	27	DRQ0/ $\overline{INT5}/\overline{PIO12}$	100	77

4. Pin Description

Pin No.(PQFP)	Symbol	Type	Description
15, 21, 38, 61, 67, 92	VCC	Input	System power: +3.3 volt power supply.
12, 18, 41, 64, 70, 89	GND	Input	System ground.
71	$\overline{\text{RST}}$	Input*	Reset input. When $\overline{\text{RST}}$ is asserted, the CPU immediately terminates all operation, clears the internal registers & logic, and the address transfers to the reset address FFFF0h.
13	X1	Input	Input to the oscillator amplifier.
14	X2	Output	Output from the inverting oscillator amplifier.
16	CLKOUTA	Output	Clock output A. The CLKOUTA operation is the same as crystal input frequency (X1). CLKOUTA remains active during reset and bus hold conditions.
17	CLKOUTB	Output	Clock output B. The CLKOUTB operation is the same as crystal input frequency (X1). CLKOUTB remains active during reset and bus hold conditions.
Asynchronous Serial Port Interface			
1	RXD0/PIO23	Input/Output	Receive data for asynchronous serial port 0. This pin receives asynchronous serial data.
2	TXD0/PIO22	Output/Input	Transmit data for asynchronous serial port 0. This pin transmits asynchronous serial data from the UART of the microcontroller.
3	$\overline{\text{RTS0}}/\overline{\text{RTR0}}/\text{PIO20}$	Output/Input	Ready to send/Ready to Receive signal for asynchronous serial port 0. When the $\overline{\text{RTS0}}$ bit in the AUXCON register is set and FC bit in the serial port 0 register is set the $\overline{\text{RTS0}}$ signal is enabled. Otherwise the $\overline{\text{RTS0}}$ bit is cleared and FC bit is set the $\overline{\text{RTR0}}$ signal is enabled.
100	$\overline{\text{CTS0}}/\overline{\text{ENRX0}}/\text{PIO21}$	Input/Output	Clear to send/Enable Receiver Request signal for asynchronous serial port 0. when $\overline{\text{ENRX0}}$ bit in the AUXCON register is cleared and the FC bit in the serial port 0 control register is set the $\overline{\text{ENRX0}}$ signal is enabled. Other when $\overline{\text{ENRX0}}$ bit is set and the FC bit is set the $\overline{\text{ENRX0}}$ signal is enabled.
98	TXD1/PIO27	Output/Input	Transmit data for asynchronous serial port 1. This pin transmits asynchronous serial data from the UART of the microcontroller.
99	RXD1/PIO28	Input/Output	Receive data for asynchronous serial port 1. This pin receives asynchronous serial data.
62	$\overline{\text{PCS3}}/\overline{\text{RTS1}}/\overline{\text{RTR1}}/\text{PIO18}$	Output/Input	Ready to send/Ready to Receive signal for asynchronous serial port 1. When the $\overline{\text{RTS1}}$ bit in the AUXCON register is set and FC bit in the serial port 1 register is set the $\overline{\text{RTS1}}$ signal is enabled. Otherwise the $\overline{\text{RTS1}}$ bit is cleared and FC bit is set the $\overline{\text{RTR1}}$ signal is enabled.

63	$\overline{\text{PCS2}} / \overline{\text{CTS1}} / \overline{\text{ENRX1}} / \text{PIO19}$	Input/Output	Clear to send/Enable Receiver Request signal for asynchronous serial port 1. when $\overline{\text{ENRX0}}$ bit in the AUXCON register is cleared and the FC bit in the serial port 1 control register is set the $\overline{\text{ENRX1}}$ signal is enabled. Other when $\overline{\text{ENRX1}}$ bit is set and the FC bit is set the $\overline{\text{ENRX1}}$ signal is enabled.		
Bus Interface					
4	$\overline{\text{BHE}} / \overline{\text{ADEN}}$	Output/Input	Bus high enable/address enable. During a memory access, the $\overline{\text{BHE}}$ and (AD0 or A0) encodings indicate what type of the bus cycle. $\overline{\text{BHE}}$ is asserted during T1 and keeps the asserted to T3 and Tw. This pin is floating during bus hold and reset.		
			$\overline{\text{BHE}}$ and (AD0 or A0) Encodings		
			$\overline{\text{BHE}}$	AD0 or A0	Type of Bus Cycle
			0	0	Word transfer
0	1	High byte transfer (D15-D8)			
1	0	Low byte transfer (D7-D0)			
1	1	Refresh			
			The address portion of the AD bus can be enabled or disabled by DA bit in the LMCS and UMCS register during LCS or UCS bus cycle access, if $\overline{\text{BHE}} / \overline{\text{ADEN}}$ is held high during power-on reset. The $\overline{\text{BHE}} / \overline{\text{ADEN}}$ with a internal weak pull-up register, so no external pull-up register is required. The AD bus always drives both address and data during LCS or UCS bus cycle access, if the $\overline{\text{BHE}} / \overline{\text{ADEN}}$ pin with external pull-low resistor during reset.		
5	$\overline{\text{WR}}$	Output	Write strobe. This pin indicates that the data on the bus is to be written into a memory or an I/O device. $\overline{\text{WR}}$ is active during T2, T3 and Tw of any write cycle, floats during a bus hold or reset.		
6	$\overline{\text{RD}}$	Output	Read Strobe. Active low signal which indicates that the microcontroller is performing a memory or I/O read cycle. $\overline{\text{RD}}$ floats during bus hold or reset.		
7	ALE	Output	Address latch enable. Active high. This pin indicates that an address output on the AD bus. Address is guaranteed to be valid on the trailing edge of ALE. This pin is tri-stated during ONCE mode and is never floating during a bus hold or reset.		
8	ARDY	Input	Asynchronous ready. This pin performs the microcontroller that the address memory space or I/O device will complete a data transfer. The ARDY pin accepts a rising edge that is asynchronous to CLKOUTA and is active high. The falling edge of ARDY must be synchronized to CLKOUTA. Tie ARDY high, the microcontroller is always asserted in the ready condition. If the ARDY is not used, tie this pin low to yield control to SRDY. Both SRDY and ARDY should be tied to high if the system need not assert wait state by externality.		
9 10 11	$\overline{\text{S2}}$ $\overline{\text{S1}}$ $\overline{\text{S0}}$	Output	Bus cycle status. These pins are encoded to indicate the bus status. $\overline{\text{S2}}$ can be used as memory or I/O indicator. $\overline{\text{S1}}$ can be used as DT/ $\overline{\text{R}}$ indicator. These pins are floating during hold and reset.		

			Bus Cycle Encoding Description			
			$\overline{S2}$	$\overline{S1}$	$\overline{S0}$	Bus Cycle
			0	0	0	Interrupt acknowledge
			0	0	1	Read data from I/O
			0	1	0	Write data to I/O
			0	1	1	Halt
			1	0	0	Instruction fetch
			1	0	1	Read data from memory
			1	1	0	Write data to memory
			1	1	1	Passive
19 20 22 23-37 39, 40	A19/PIO9 A18/PIO8 A17/PIO7 A16-A2 A1, A0	Output/Input	Address bus. Non-multiplex memory or I/O address. The A bus is one-half of a CLKOUTA period earlier than the AD bus. These pins are high-impedance during bus hold or reset.			
78,80,82,84,86,88 91,94 79,81,83,85,87,90 93,95	AD0-AD7 AD8-AD15	Input/Output	The multiplexed address and data bus for memory or I/O accessing. The address is present during the t1 clock phase, and the data bus phase is in t2-t4 cycle. The address phase of the AD bus can be disabled when the \overline{BHE} / \overline{ADEN} pin with external pull-Low resistor during reset. The AD bus is in high-impedance state during bus hold or reset condition and this bus also be used to load system configuration information (with pull-up or pull-Low resistor) into the RESCON register when the reset input from low go high.			
42	\overline{WHB}	Output	Write high byte. This pin indicates the high byte data (AD15-AD8) on the bus is to be written to a memory or I/O device. \overline{WHB} is the logic OR of \overline{BHE} , \overline{WR} and AD0 inverting. This pin is floating during reset or bus hold.			
43	\overline{WLB}	Output	Write low byte. This pin indicates the low byte data (AD7-AD0) on the bus is to be written to a memory or I/O device. \overline{WLB} is the logic OR of \overline{BHE} , \overline{WR} and AD0. This pin is floating during reset or bus hold.			
44	HLDA	Output	Bus hold acknowledge. Active high. The microcontroller will issue a HLDA in response to a HOLD request by external bus master at the end of T4 or Ti. When the microcontroller is in hold status (HLDA is high), the AD15-AD0, A19-A0, \overline{WR} , \overline{RD} , \overline{DEN} , $\overline{S0}$ - $\overline{S1}$, $\overline{S6}$, \overline{BHE} , $\overline{DT/R}$, \overline{WHB} and \overline{WLB} are floating, and the \overline{UCS} , \overline{LCS} , $\overline{PCS6}$ - $\overline{PCS5}$, $\overline{MCS3}$ - $\overline{MCS0}$ and $\overline{PCS3}$ - $\overline{PCS0}$ will be drive high. After HOLD is detected as being low, the microcontroller will lower HLDA.			
45	HOLD	Input	Bus Hold request. Active high. This pin indicates that another bus master is requesting the local bus.			
46	SRDY/PIO6	Input/Output	Synchronous ready. This pin performs the microcontroller that the address memory space or I/O device will complete a data transfer. The SRDY pin accepts a falling edge that is asynchronous to CLKOUTA and is active high. SRDY is accomplished by elimination of the one-half clock period required to internally synchronize ARDY. Tie SRDY high the microcontroller is always assert in the ready condition. If the			

			SRDY is not used, tie this pin low to yield control to ARDY. Both SRDY and ARDY should be tied to high if the system need not assert wait state by externality.
48	DT/ \overline{R} /PIO4	Output/Input	Data transmit or receive. This pin indicates the direction of data flow through an external data-bus transceiver. DT/ \overline{R} low, the microcontroller receives data. When DT/R is asserted high, the microcontroller writes data to the data bus.
49	\overline{DEN} /PIO5	Output/Input	Data enable. This pin is provided as a data bus transceiver output enable. \overline{DEN} is asserted during memory and I/O access. \overline{DEN} is driven high when DT/ \overline{R} changes state. It is floating during bus hold or reset condition.
96	S6/ \overline{CLKDIV} /PIO29	Output/Input	Bus cycle status bit6/clock divided by 2. For S6 feature, this pin is low to indicate a microcontroller-initiated bus cycle or high to indicate a DMA-initiated bus cycle during T2, T3, Tw and T4. For CLKDIV2 feature. The internal clock of microcontroller is the external clock which is divided by 2. (CLKOUTA, CLKOUTB=X1/2), if this pin held low during power-on reset. The pin is sampled on the rising edge of \overline{RST} .
97	\overline{UZI} /PIO26	Output/Input	Upper zero indicate. This pin is the logical OR of the inverted A19-A16. It asserts in the T1 and is held throughout the cycle.
Chip Select Unit Interface			
50 51 68 69	$\overline{MCS0}$ /PIO14 $\overline{MCS1}$ /PIO15 $\overline{MCS2}$ /PIO24 $\overline{MCS3}$ / \overline{RFSH} /PIO25	Output/Input	Midrange memory chip selects. For \overline{MCS} feature, these pins are active low when enable the MMCS register to access a memory. The address ranges are programmable. $\overline{MCS3}$ - $\overline{MCS0}$ are held high during bus hold. When programming LMCS register, pin69 is as a \overline{RFSH} pin to auto refresh the PSAM.
57	\overline{UCS} / $\overline{ONCE1}$	Output/Input	Upper memory chip select/ONCE request 1. For \overline{UCS} feature, this pin acts low when system accesses the defined portion memory block of the upper 512K bytes (80000h-FFFFFh) memory region. \overline{UCS} default acted address region is from F0000h to FFFFFh after power-on reset. The address range acting \overline{UCS} is programmed by software.
58	\overline{LCS} / $\overline{ONCE0}$	Output/Input	Lower memory chip select/ONCE mode request 0. For \overline{LCS} feature, this pin acts low when the microcontroller accesses the defined portion memory block of the lower 512K (00000h-7FFFFh) memory region. The address range acting \overline{LCS} is programmed by software.
59 60	$\overline{PCS6}$ /A2/PIO2 $\overline{PCS5}$ /A1/PIO3	Output/Input	Peripheral chip selects/latched address bit. For \overline{PCS} feature, these pins act low when the microcontroller accesses the fifth or sixth region of the peripheral memory (I/O or memory space). The base address of \overline{PCS} is programmable. These pins assert with the AD address bus and are not float during bus hold. For latched address bit feature. These pins output the latched address A2, A1 when cleared the EX bit in the \overline{MCS} and \overline{PCS} auxiliary register. The A2, A1 retains previous latched data during bus hold.
62	$\overline{PCS3}$ / $\overline{RTS1}$ / $\overline{RTR1}$ /PIO19	Output/Input	Peripheral chip selects. These pins act low when the

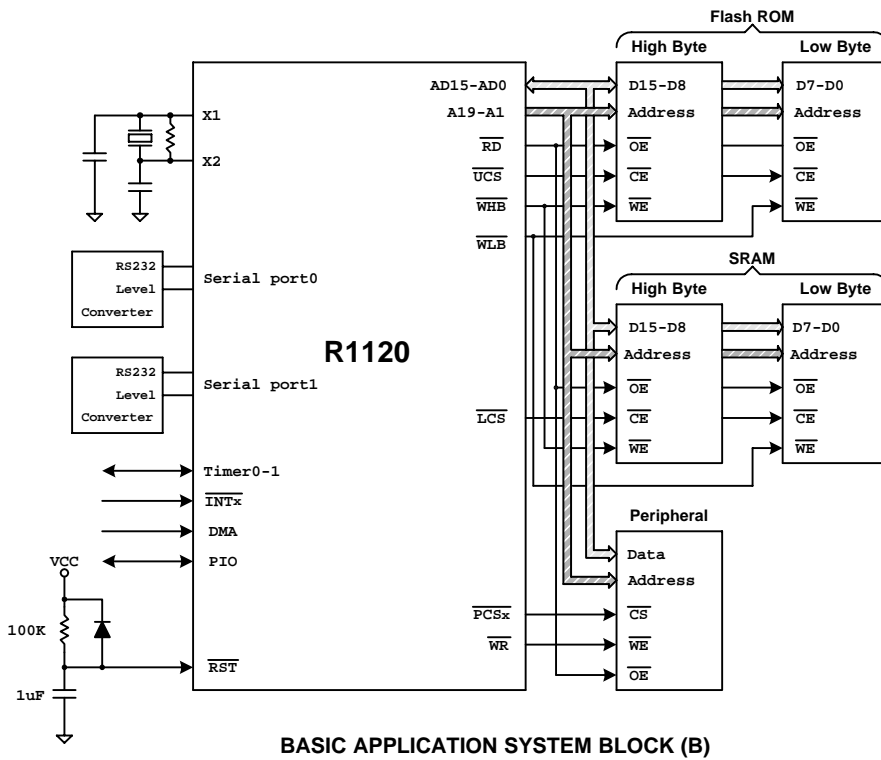
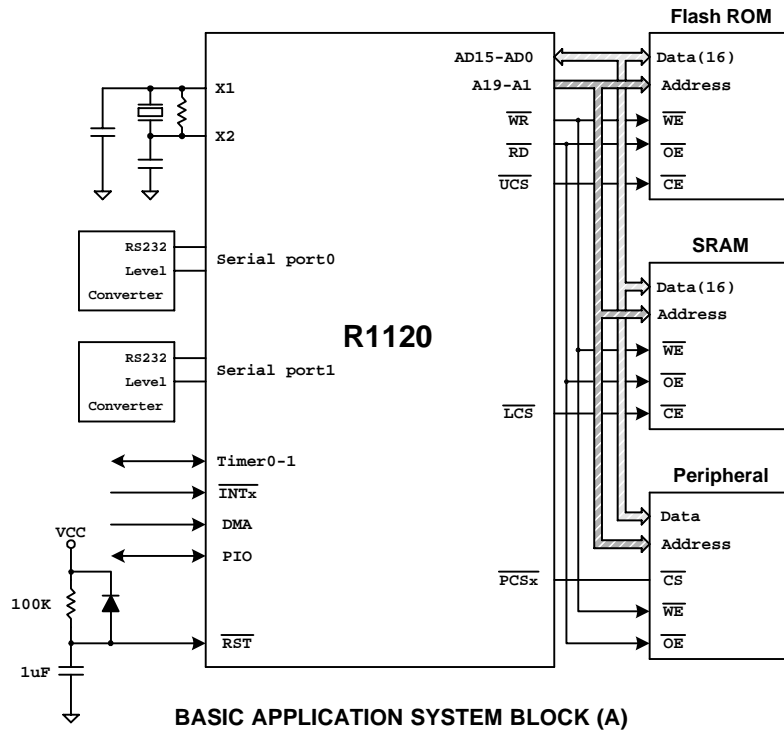
63 65 66	PCS2 / STS1 / ENRX1 / PIO18 PCS1 / PIO17 PCS0 / PIO16		microcontroller accesses the defined memory area of the peripheral memory block (I/O or memory address). For I/O accessed, the base address can be programmed in the region 00000h to 0FFFFh. For memory address access, the base address can be located in the 1M byte memory address region. These pins assert with the multiplexed AD address bus and are not float during bus hold.
Interrupt Control Unit Interface			
47	NMI	Input	Nonmaskable Interrupt. The NMI is the highest priority hardware interrupt and is nonmaskable. When this pin is asserted (NMI transition from low to high), the microcontroller always transfers the address bus to the location specified by the nonmaskable interrupt vector in the microcontroller interrupt vector table. The NMI pin must be asserted for at least one CLKOUTA period to guarantee that the interrupt is recognized.
52	INT4/PIO30	Input/Output	Maskable interrupt requests 4. Act high. This pin indicates that an interrupt request has occurred. The microcontroller will jump to the INT4 address vector to execute the service routine if the INT4 is enable. The interrupt input can be configured to be either edge- or level-triggered. The requesting device must holt the INT4 until the request is acknowledged to guarantee interrupt recognition.
53	INT3/ $\overline{\text{INTA1}}$ /IRQ	Input/Output	Maskable interrupt requests 3/interrupt acknowledge 1/slave interrupt request. For INT3 feature, except the difference interrupt line and interrupt address vector, the function of INT3 is the same as INT4. For $\overline{\text{INTA1}}$ feature, in cascade mode or special fully-nested mode, this pin corresponds the INT1. For IRQ feature, when the microcontroller is as a slave device, this pin issues an interrupt request to the master interrupt controller.
54	INT2/ $\overline{\text{INTA0}}$ /PIO31	Input/Output	Maskable interrupt requests 2/interrupt acknowledge 0. For INT2 feature, except the difference interrupt line and interrupt address vector, the function of INT2 is the same as INT4. For $\overline{\text{INTA0}}$ feature, in cascade mode or special fully-nested mode, this pin corresponds the INT0.
55	INT1/ $\overline{\text{SELECT}}$	Input/Output	Maskable interrupt requests 1/slave select. For INT1 feature, except the difference interrupt line and interrupt address vector, the function of INT1 is the same as INT4. For $\overline{\text{SELECT}}$ feature, when the microcontroller is as a slave device, this pin is driven from the master interrupt controller decoding. This pin acts to indicate that an interrupt appears on the address and data bus. The INT0 must act before $\overline{\text{SELECT}}$ acts when the interrupt type appears on the bus.
56	INT0 / SO1	Input/Output	Maskable interrupt request 0. Except the interrupt line and interrupt address vector, the function of INT0 is the same as INT4.
Timer Control Unit Interface			
72 75	TMRIN1/PIO0 TMRIN0/PIO11	Input/Output	Timer input. These pins can be as clock or control signal input, which depend upon the programmed timer mode. After internally synchronizing low to high transitions on TMRIN, the timer controller increments. These pins must be pull-up if not being used.
73	TMROUT1/PIO1	Output/Input	Timer output. Depending on timer mode select these pins

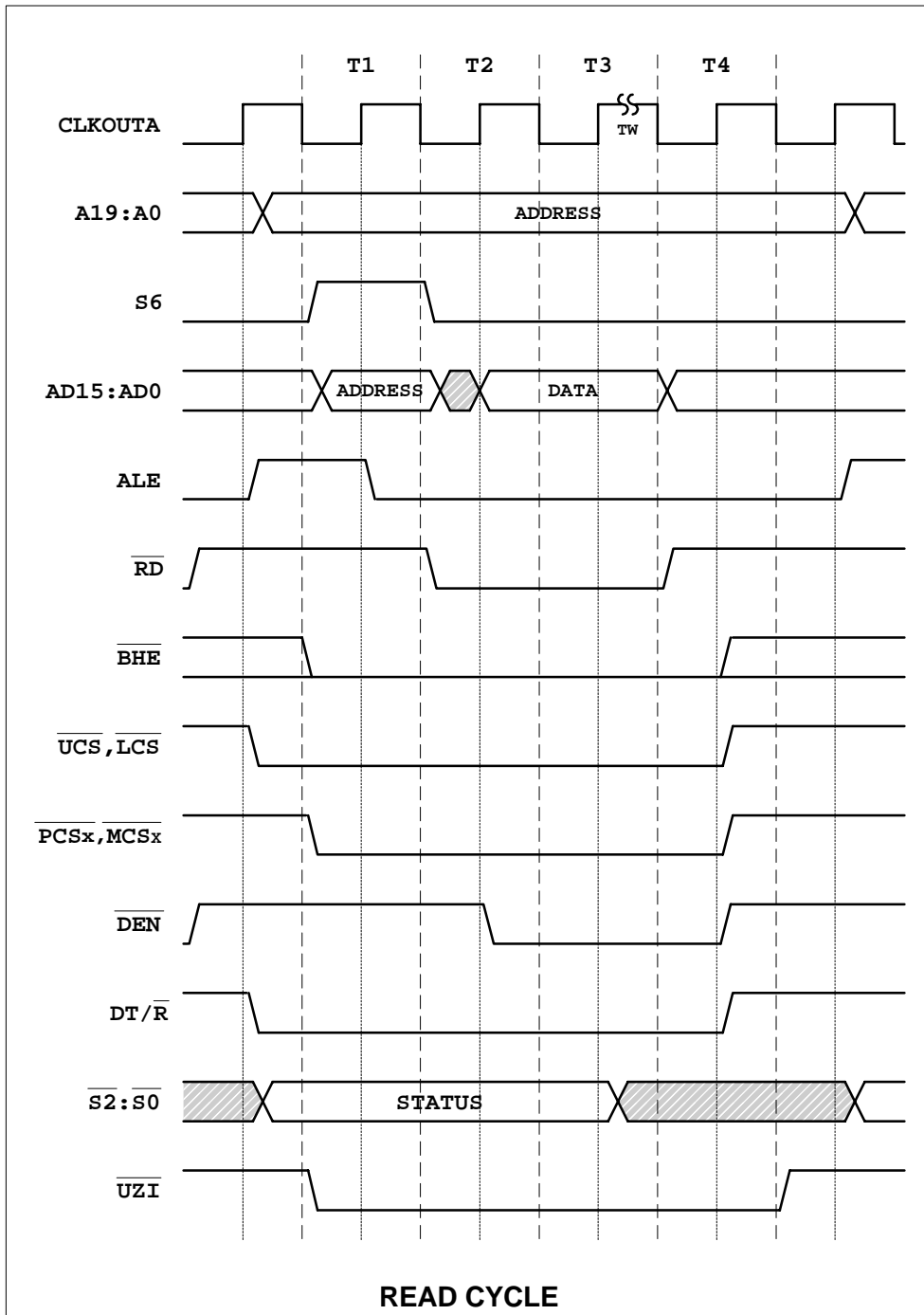
74	TMROUT0/PIO10		provide single pulse or continuous waveform. The duty cycle of the waveform can be programmable. These pins are floated during a bus hold or reset.
DMA Unit Interface			
76 77	DRQ1/INT6/PIO13 DRQ0/INT5/PIO12	Input/Output	DMA request. These pins are asserted high by an external device when the device is ready for DMA channel 1 or channel 0 to perform a transfer. These pins are level-triggered and internally synchronized. The DRQ signals must remain active until finish serviced and are not latched. For INT6/INT5 function: When the DMA function is not being used, INT6/INT5 can be used as an additional external interrupt request. And they share the corresponding interrupt type and register control bits. The INT6/5 are edge-triggered only and must be hold until the interrupt is acknowledged.

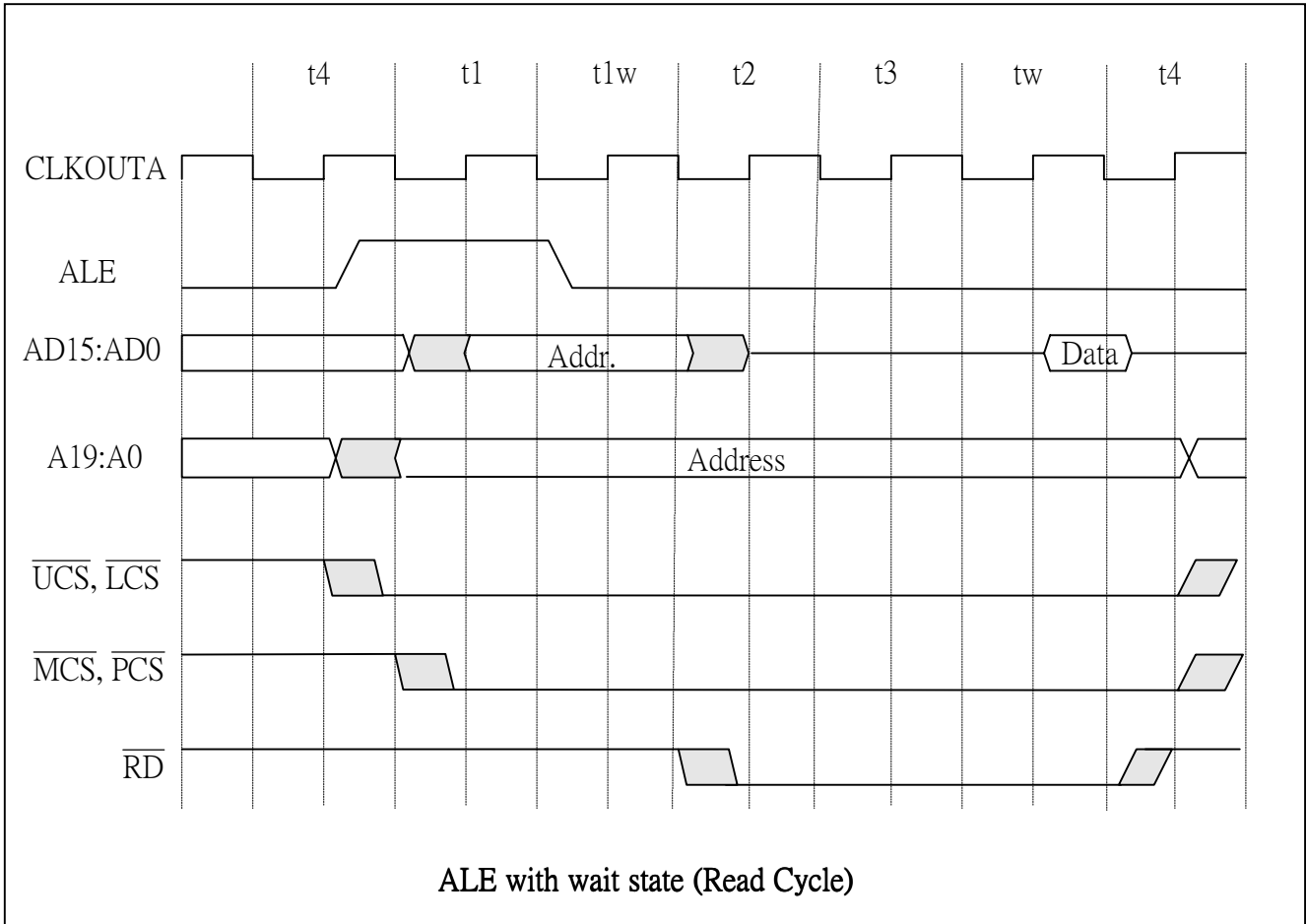
Notes:

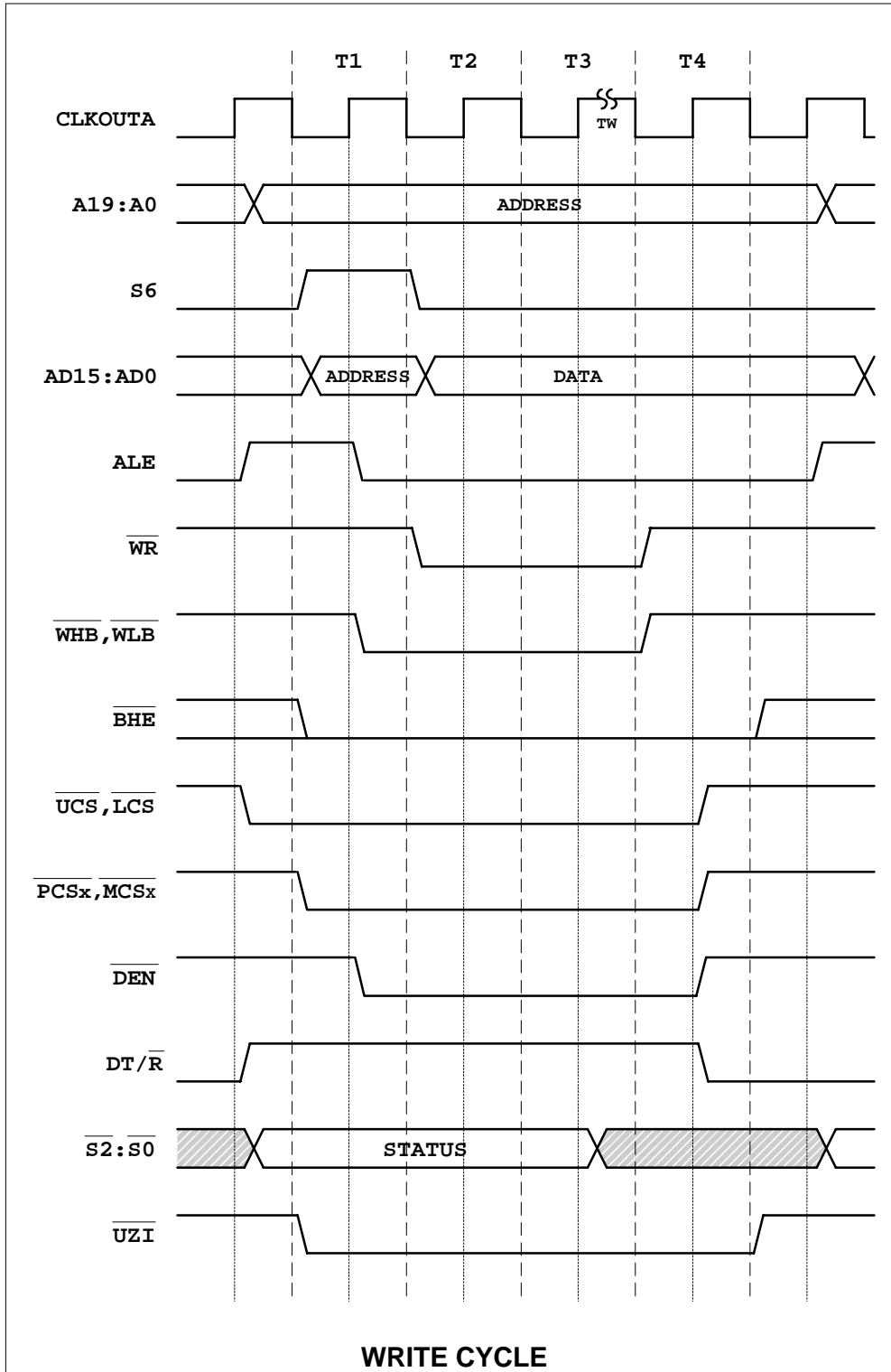
1. When enable the PIO Data register, there are 32 MUX definition pins can be as a PIO pin. For example, the DRD1/PIO13 (pin76) can be as a PIO13 when enable the PIO Data register.
2. The PIO status during Power-On reset : PIO1, PIO10, PIO22, PIO23 are input with pull-down, PIO4 to PIO9 are normal operation and the others are input with pull-up.

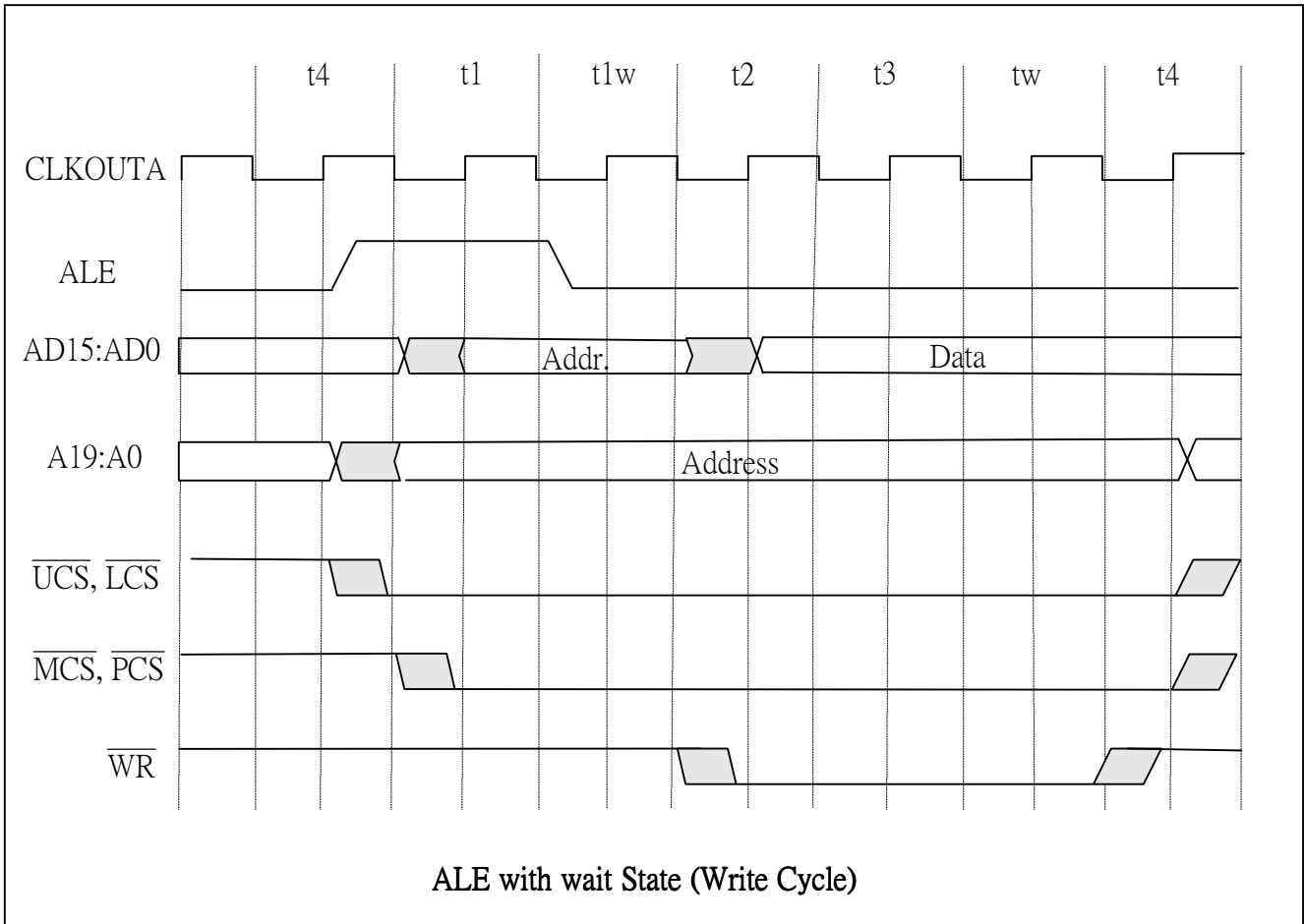
5. Basic Application System Block & Read/Write timing Diagram



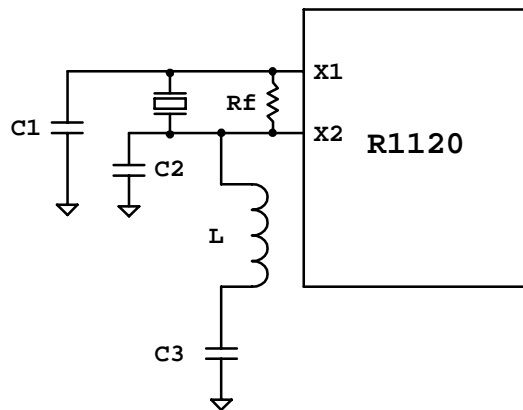








6. Oscillator Characteristics & System Clock



For fundamental-mode crystal:

- C1 ----- 10pF ± 20%
- C2 ----- 10pF ± 20%
- Rf ----- Don't care
- C3 ----- Don't care
- L ----- Don't care

For third-overtone mode crystal:

- C1 ----- 20pF ± 20%
- C2 ----- 20pF ± 20%
- C3 ----- 200pf
- Rf ----- 1 mega-ohm
- L ----- 8.2uH ± 20% (25MHZ)
12uH ± 20% (20MHZ)

7. Execution Unit

7.1 General Register

The R1120 has eight 16-bit general registers. And the AX,BX,CX,DX can be subdivided into two 8-bit register (AH,AL,BH, BL,CH,CL,DH,DL). The functions of these registers are described as follows.

AX : Word Divide , Word Multiply, Word I/O operation.

AH : Byte Divide , Byte Multiply, Byte I/O , Decimal Arithmetic, Translate operation.

AL : Byte Divide , Byte Multiply operation.

BX : Translate operation.

CX : Loops, String operation

CL : Variable Shift and Rotate operation.

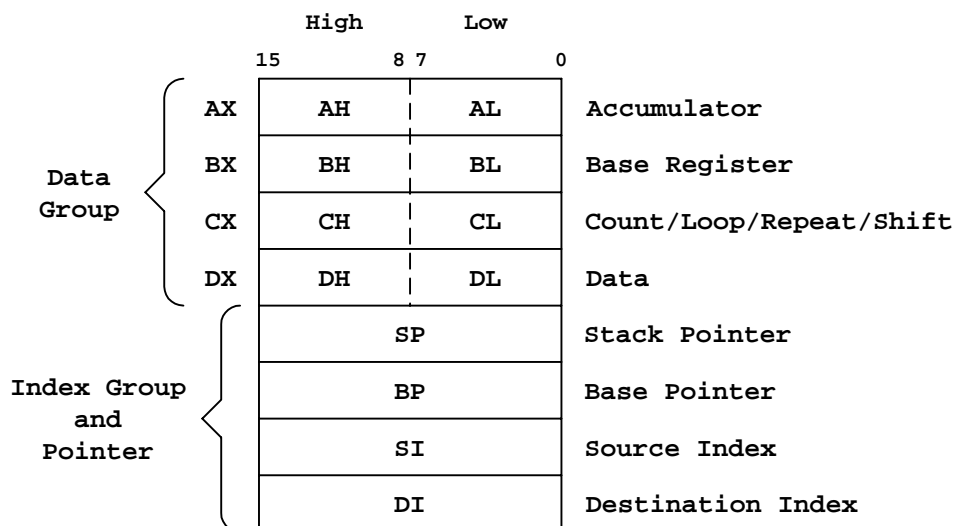
DX : Word Divide , Word Multiply, Indirect I/O operation

SP : Stack operations (POP, POPA, POPF, PUSH, PUSHA, PUSHF)

BP : General-purpose register which can be used to determine offset address of operands in Memory.

SI : String operations

DI : String operations



GENERAL REGISTERS

7.2 Segment Register

R1120 has four 16-bit segment registers, CS, DS, SS, ES. The segment registers contain the base addresses (starting location) of these memory segments, and they are immediately addressable for code (CS), data (DS & ES), and stack (SS) memory.

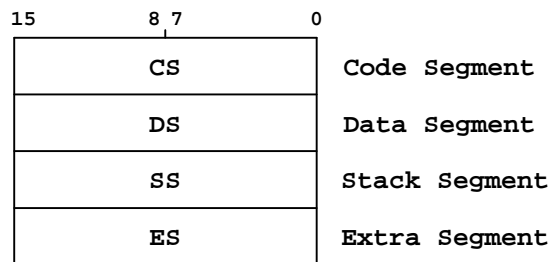
CS (Code Segment) : The CS register points to the current code segment, which contains instruction to be fetched. The default location memory space for all instruction is 64K. The initial value of CS register is 0FFFFh.

DS (Data Segment) : The DS register points to the current data segment, which generally contains program variables. The

DS register initialize to 0000H.

SS (Stack Segment) : The SS register points to the current stack segment, which is for all stack operations, such as pushes and pops. The stack segment is used for temporary space. The SS register initialize to 0000H.

ES (Extra Segment) : The ES register points to the current extra segment which is typically for data storage, such as large string operations and large data structures. The DS register initialize to 0000H.



SEGMENT REGISTERS

7.3 Instruction Pointer and Status Flags Register

IP (Instruction Pointer) : The IP is a 16-bit register and it contains the offset of the next instruction to be fetched. Software can not direct access the IP register. This register is updated by the Bus Interface Unit. It can change, be saved or be restored as a result of program execution. The IP register initialize to 0000H and the CS:IP starting execution address is at 0FFFF0H.

Processor Status Flags Registers

FLAGS
Reset Value : 0000h

15	14	13	12	11	10	9	8	7	6	5	4	3	2	1	0
Reserved				OF	DF	IF	TF	SF	ZF	Res	AF	Res	PF	Res	CF

These flags reflect the status after the Execution Unit is executed.

Bit 15-12 : Reserved

Bit 11: **OF**, Overflow Flag. An arithmetic overflow has occurred, this flag will be set.

Bit 10 : **DF**, Direction Flag. If this flag is set, the string instructions are increment address process. If DF is cleared, the string instructions are decrement address process. Refer to the STD and CLD instructions for how to set and clear the DF flag.

Bit 9 : **IF**, Interrupt-Enable Flag. Refer to the STI and CLI instructions for how to set and clear the IF flag.

Set to 1 : The CPU enables the maskable interrupt request.

Set to 0 : The CPU disables the maskable interrupt request.

Bit 8: TF, Trace Flag. Set to enable single-step mode for debugging; Clear to disable the single-step mode. If an application program sets the TF flag using POPF or IRET instruction, a debug exception is generated after the instruction (The CPU automatically generates an interrupt after each instruction) that follows the POPF or IRET instruction.

Bit 7: SF, Sign Flag. If this flag is set, the high-order bit of the result of an operation is 1, indicating it is negative.

Bit 6: ZF, Zero Flag. The result of operation is zero, this flag is set.

Bit 5: Reserved

Bit 4: AF, Auxiliary Flag. If this flag is set, there has been a carry from the low nibble to the high or a borrow from the high nibble to the low nibble of the AL general-purpose register. Used in BCD operation.

Bit 3: Reserved.

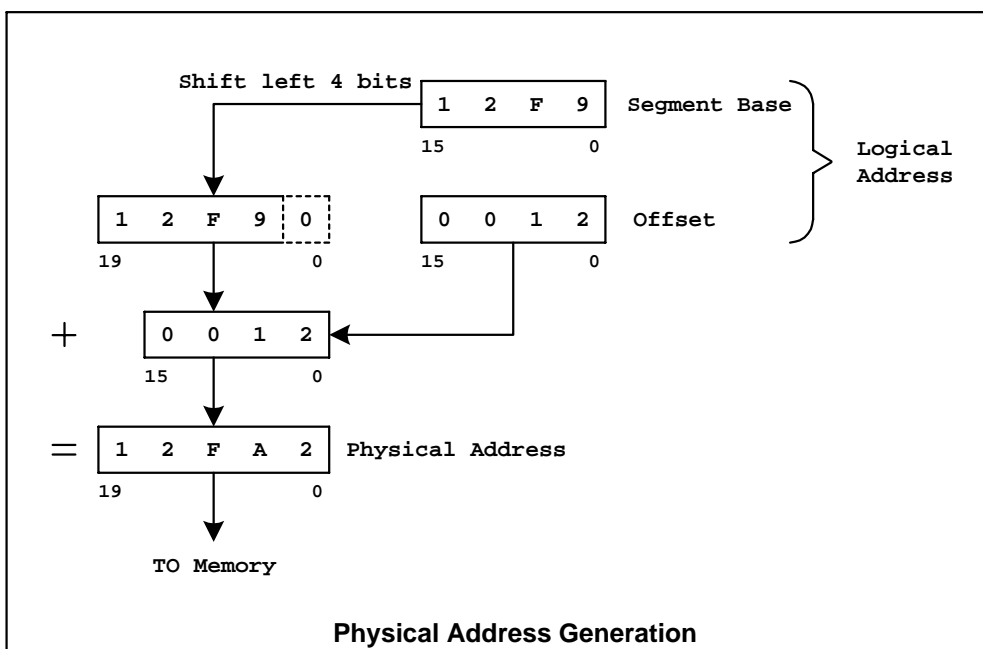
Bit 2: PF, Parity Flag. The result of low-order 8 bits operation has even parity; this flag is set.

Bit 1: Reserved

Bit 0: CF, Carry Flag. If CF is set, there has been a carry out or a borrow into the high-order bit of the instruction result.

7.4 Address generation

The Execution Unit generates a 20-bit physical address to Bus Interface Unit by the Address Generation. Memory is organized in sets of segments. Each segment contains a 16 bits value. Memory is addressed using a two-component address that consists of a 16-bit segment and 16-bit offset. The Physical Address Generation figure describes how the logical address transfers to the physical address.



8. Peripheral Control Block Register

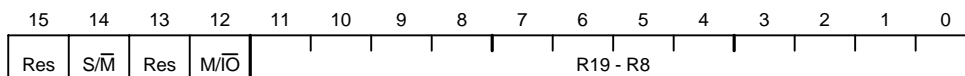
The peripheral control block can be mapped into either memory or I/O space to program the FEh register. And it starts at FF00h in I/O space when reset the microprocessor.

The following table is the definition of all the peripheral Control Block Register, and the detail description will arrange on the relation Block Unit.

Offset (HEX)	Register Name	Page	Offset (HEX)	Register Name	Page
FE	Peripheral Control Block Relocation Register	25	70	PIO Mode 0 Register	87
F6	Reset Configuration Register	30	66	Timer 2 Mode / Control Register	73
F4	Processor Release Level Register	25	62	Timer 2 Maxcount Compare A Register	74
F2	Auxiliary configuration Register	35	60	Timer 2 Count Register	74
F0	System configuration register	26	5E	Timer 1 Mode / Control Register	70
E6	Watchdog timer control register	76	5C	Timer 1 Maxcount Compare B Register	73
E4	Enable RCU Register	88	5A	Timer 1 Maxcount Compare A Register	73
E2	Clock Prescaler Register	88	58	Timer 1 Count Register	73
E0	Memory Partition Register	88	56	Timer 0 Mode / Control Register	69
DA	DMA 1 Control Register	53	54	Timer 0 Maxcount Compare B Register	70
D8	DMA 1 Transfer Count Register	65	52	Timer 0 Maxcount Compare A Register	70
D6	DMA 1 Destination Address High Register	65	50	Timer 0 Count Register	69
D4	DMA 1 Destination Address Low Register	66	44	Serial Port 0 interrupt control register	47
D2	DMA 1 Source Address High Register	66	42	Serial port 1 interrupt control register	48
D0	DMA 1 Source Address Low Register	66	40	INT4 Control Register	49
CA	DMA 0 Control Register	62	3E	INT3 Control Register	49
C8	DMA 0 Transfer Count Register	62	3C	INT2 Control Register	50
C6	DMA 0 Destination Address High Register	62	3A	INT1 Control Register	50
C4	DMA 0 Destination Address Low Register	63	38	INT0 Control Register	51
C2	DMA 0 Source Address High Register	63	36	DMA 1/INT6 Interrupt Control Register	52
C0	DMA 0 Source Address Low Register	63	34	DMA 0/INT5 Interrupt Control Register	52
A8	PCS and MCS Auxiliary Register	41	32	Timer Interrupt Control Register	53
A6	Midrange Memory Chip Select Register	39	30	Interrupt Status Register	54
A4	Peripheral Chip Select Register	42	2E	Interrupt Request Register	54
A2	Low Memory Chip Select Register	38	2C	Interrupt In-service Register	55
A0	Upper Memory Chip Select Register	37	2A	Interrupt Priority Mask Register	56
88	Serial Port 0 Baud Rate Divisor Register	83	28	Interrupt Mask Register	57
86	Serial Port 0 Receive Register	83	26	Interrupt Poll Status Register	58
84	Serial Port 0 Transmit Register	82	24	Interrupt Poll Register	58
82	Serial Port 0 Status Register	82	22	Interrupt End-of-Interrupt	59
80	Serial Port 0 Control Register	80	20	Interrupt Vector Register	59
7A	PIO Data 1 Register	86	18	Serial port 1 baud rate divisor	84
78	PIO Direction 1 Register	86	16	Serial port 1 receive register	84
76	PIO Mode 1 Register	86	14	Serial port 1 transmit register	84
74	PIO Data 0 Register	87	12	Serial port 1 status register	83
72	PIO Direction 0 Register	87	10	Serial port 1 control register	83
F8	PLLCON Register	27			

Peripheral Control Block Relocation Register:

Offset : FEh
Reset Value : 20FFh



The peripheral control block is mapped into either memory or I/O space by programming this register. When the other chip selects (\overline{PCSx} or \overline{MCSx}) are programmed to zero wait states and ignored the external ready, the \overline{PCSx} or \overline{MCSx} can overlap the control block.

Bit 15: Reserved

Bit 14: S/M, Slave/Master – Configures the interrupt controller

set 0 : Master mode, set 1: Slaved mode

Bit 13 : Reserved

Bit 12: M/I \bar{O} , Memory/IO space. At reset, this bit is set to 0 and the PCB map start at FF00h in I/O space.

set 1- The peripheral control block (PCB) is located in memory space.

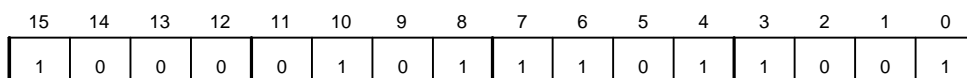
set 0- The PCB is located in I/O space.

Bit 11-0 : R19-R8, Relocation Address Bits

The upper address bits of the PCB base address. The lower eight bits default to 00h. When the PCB is mapped to I/O space, the R19-R16 must be programmed to 0000b.

Processor Release Level Register

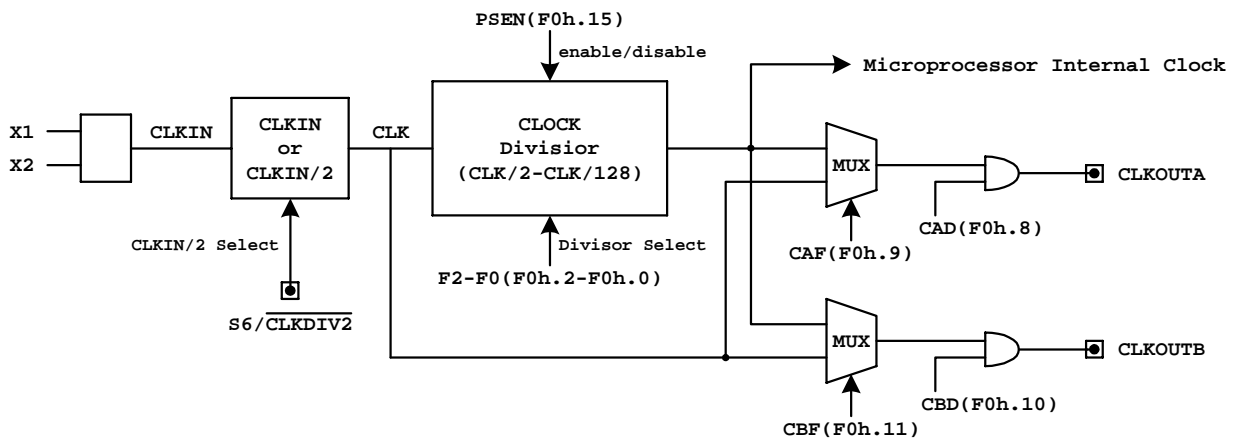
Offset : F4h
Reset Value : – D9h



Read only register that specifies the processor release version and RDC identify number

Bit 15-0: 85D9h

9. System Clock Block



System Clock

Power-Save Control Register

Offset : F0h
Reset Value : 0000h

15	14	13	12	11	10	9	8	7	6	5	4	3	2	1	0
PSEN	MCSBIT	0	0	CBF	CBD	CAF	CAD	0	0	0	SALEr	0	F2	F1	F0

The initial PLL, factor is 1 (CLKIN=Crystal frequency). The factctor is adjusted by changing the value of N,M and R.

Bit 15: PSEN , Enable Power-save Mode. This bit is cleared by hardware when an external interrupt occurs. This bit does not be changed when software interrupts (INT instruction) and exceptions occurs.

Set 1: enable power-save mode and divides the internal operating clock by the value in F2-F0.

Bit14 : MCSBIT, MCS0 control bit. Set to 0: The MCS0 operates normally. Set to 1: MCS0 is active over the entire MCSx range

Bit13-12: Reserved

Bit 11: CBF, CLKOUTB Output Frequency selection.

Set 1: CLKOUTB output frequency is same as crystal input frequency.

Set 0 : CLKOUTB output frequency is from the clock divisor, which frequency is same as that of microprocessor internal clock.

Bit 10 : CBD, CLKOUTB Drive Disable

Set 1: Disable the CLKOUTB. This pin will be a three-state.

Set 0 : Enable the CLKOUTB.

Bit 9: CAF, CLKOUTA Output Frequency selection.

Set 1: CLKOUTA output frequency is same as crystal input frequency.

Set 0 : CLKOUTB output frequency is from the clock divisor, which frequency is same as that of microprocessor

internal clock .

Bit 8: CAD, CLKOUTA Drive Disable.

Set 1: Disable the CLKOUTA. This pin will be a three-state.

Set 0 : Enable the CLKOUTA.

Bit 4 : Insert ALE delay.

Set to 1 : one more T1 is added,the bus should be 5T cycle.

Set to 0 : Normal bus cycle.ALE without delay.

Bit 7,6,5,3 : Reserved

Bit 2-0: F2- F0, Clock Divisor Select.

F2, F1, F0	Divider Factor
0, 0, 0	Divide by 1
0, 0, 1	Divide by 2
0, 1, 0	Divide by 4
0, 1, 1	Divide by 8
1, 0, 0	Divide by 16
1, 0, 1	Divide by 32
1, 1, 0	Divide by 64
1, 1, 1	Divide by 128

PLL Configuration Register

Offset : F8h

Reset Value : 05Fh

15	14	13	12	11	10	9	8	7	6	5	4	3	2	1	0
Reserve			PRS1	PRS0	POS1	POS0	Reserve			FBS4	FBS3	FBS2	FBS1	FBS0	

Bit 15–12 : Reserved

Bit 11–10 : Pre-Divider (PRS) – Programming signals for pre-divider.

Bit 9–8 : Post-Divider (POS) – Programming signals for post-divider.

Bit 7–5 : Reserved

Bit 4–0 : Feedback Divider (FBS) – Programming signals for feedback divider.

PRS	M
00	1
01	2
10	3
11	4

POS	R
00	1
01	2
10	4
11	8

FBS	N	FBS	N	FBS	N	FBS	N
00000	1	01000	9	10000	17	11000	25
00001	2	01001	10	10001	18	11001	26
00010	3	01010	11	10010	19	11010	27
00011	4	01011	12	10011	20	11011	28
00100	5	01100	13	10100	21	11100	29
00101	6	01101	14	10101	22	11101	30
00110	7	01110	15	10110	23	11110	31
00111	8	01111	16	10111	24	11111	32

$$\text{CLKOUT} = \text{FREF} * \frac{\text{N}}{\text{M} * \text{R}}$$

(CLKOUT : Internal/output frequency, FREF : input frequency), 2MHz≤ FREF ≤24MHz

PRS	M
00	1
01	2
10	3
11	4

POS	R
00	1
01	2
10	4
11	8

FBS	N	FBS	N	FBS	N	FBS	N
00000	1	01000	9	10000	17	11000	25
00001	2	01001	10	10001	18	11001	26
00010	3	01010	11	10010	19	11010	27
00011	4	01011	12	10011	20	11011	28
00100	5	01100	13	10100	21	11100	29
00101	6	01101	14	10101	22	11101	30
00110	7	01110	15	10110	23	11110	31
00111	8	01111	16	10111	24	11111	32

Note1 : 20 MHz < FREF * N / M < 280MHz

Note2 : N=1 : 5 MHz * M <= FREF < 50 MHz,

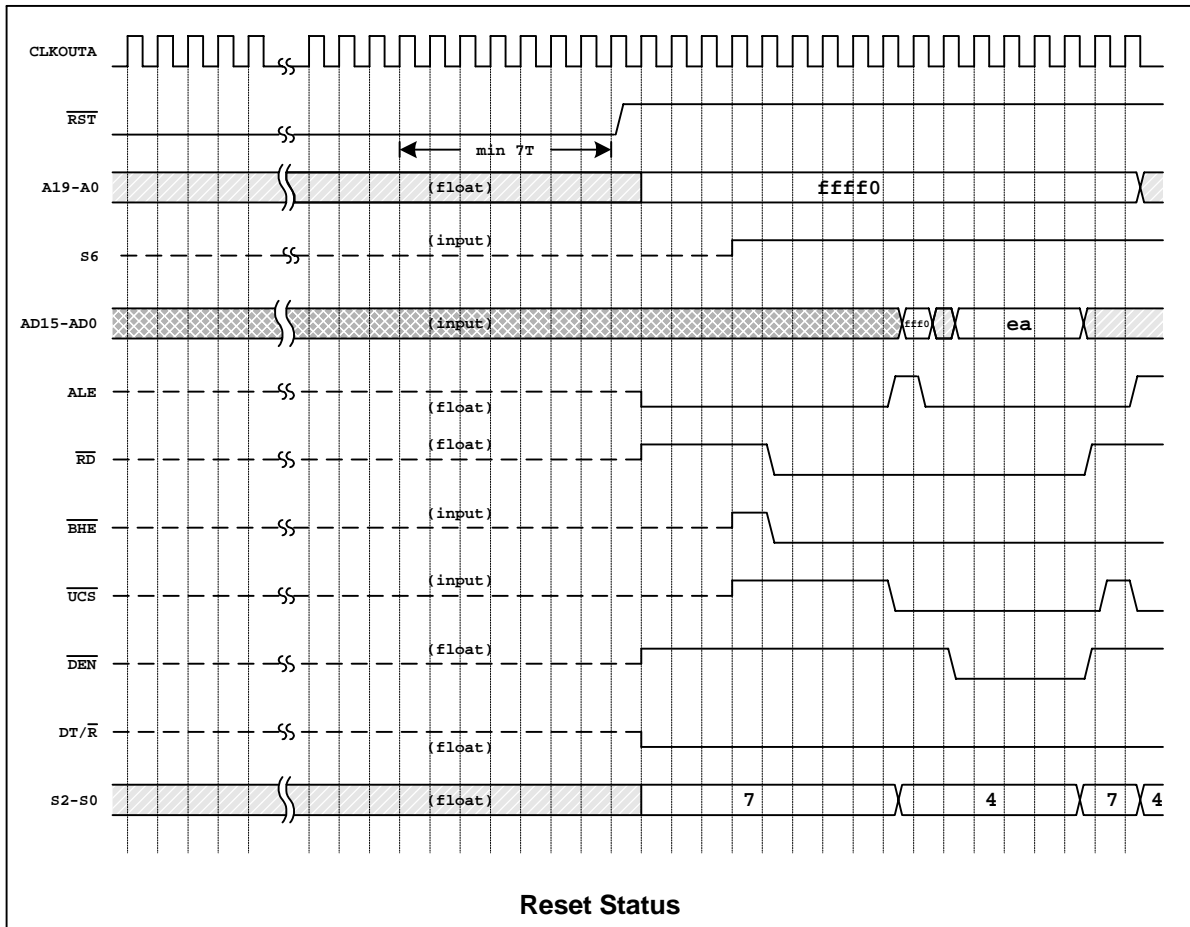
N=2 : 3.5 MHz * M <= FREF < 50 MHz,

N=3-32 : 2.8 MHz * M <= FREF < 50 MHz

Note3 : The frequency working range of crystal pad is 2 ~ 24 MHz.

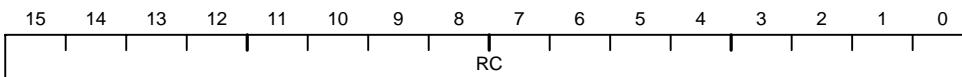
10. Reset

Processor initialization is accomplished with activation of the $\overline{\text{RST}}$ pin. To reset the processor, this pin should be held low for at least seven oscillator periods. The Reset Status Figure shows the status of the $\overline{\text{RST}}$ pin and others relation pins. When $\overline{\text{RST}}$ goes from low to high, the state of input pin (with weakly pull-up or pull-down) will be latched, and each pin will perform the individual function. The AD15-AD0 will be latched into the register F6h. $\overline{\text{UCS}}/\overline{\text{ONCE1}}$, $\overline{\text{LCS}}/\overline{\text{ONCE0}}$ will enter ONCE mode (All of the pins will be floating except X1, X2) when being with pull-low resistors. The input clock will be divide into 2 when S6/ $\overline{\text{CLKDIV2}}$ being with pull-low resistor. The AD15-AD0 bus will drive the address phase during $\overline{\text{UCS}}$, $\overline{\text{LCS}}$ cycle if $\overline{\text{BHE}}/\overline{\text{ADEN}}$ being with pull-low resistor



Reset Configuration Register

Offset : F6h
Reset Value : AD15-AD0



Bit 15- 0 : RC ,Reset Configuration AD15 – AD0.

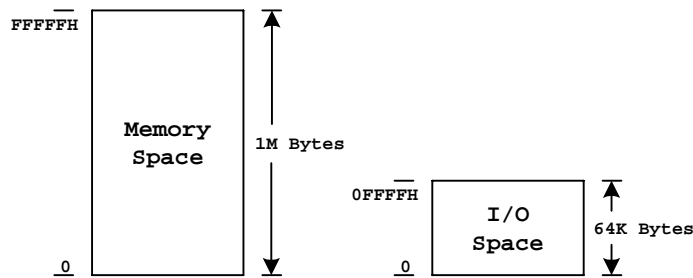
The AD15 to AD0 must with weakly pull-up or pull-down resistors to correspond the contents when AD15-AD0 is latched into this register during the \overline{RST} pin going from low to high. And the value of the reset configuration register provides the system information when software read this register. This register is read only and the contents remain valid until the next processor reset.

11. Bus Interface Unit

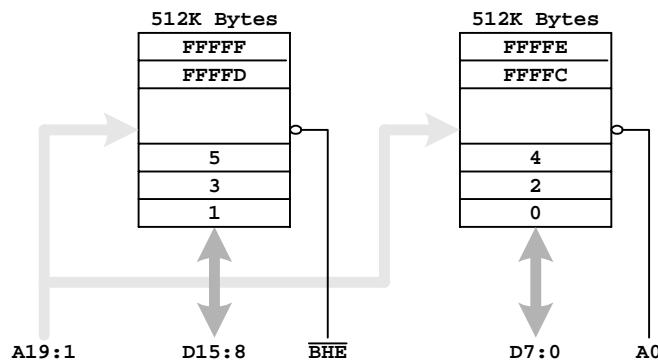
The bus interface unit drives address, data, status and control information to define a bus cycle. The bus A19-A0 are non-multiplexed memory or I/O address. The AD15-AD0 are multiplexed address and data bus for memory or I/O accessing. The $\overline{S2} - \overline{S1}$ are encoded to indicate the bus status, which is described in the Pin Description table in page 5. The Basic Application System Block (page 10) and Read/Write Timing Diagram (page 12) describe the basic bus operation.

11.1 Memory and I/O interface

The memory space consists of 1M bytes (512k 16-bit port) and the I/O space consists of 64k bytes (32k 16-bit port). Memory devices exchange information with the CPU during memory read, memory write and instruction fetch bus cycles. I/O read and I/O write bus cycles use a separate I/O address space. Only IN/OUT instruction can access I/O address space, and information must be transferred between the peripheral device and the AX register. The first 256 bytes of I/O space can be accessed directly by the I/O instructions. The entire 64k bytes I/O address space can be accessed indirectly, through the DX register. I/O instructions always force address A19-A16 to low level.



Memory and I/O Space



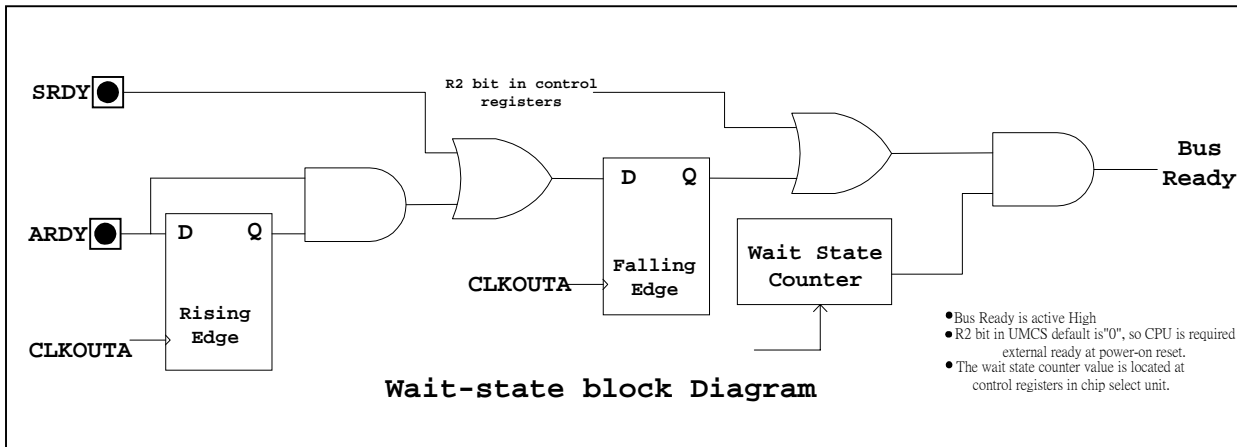
Physical Data Bus Models

11.2 Data Bus

The memory address space data bus is physically implemented by dividing the address space into two banks of up to 512k bytes. Each one bank connects to the lower half of the data bus and contains the even-addressed bytes (A0=0). The other

bank connects to the upper half of the data bus and contains odd-addressed bytes (A0=1). A0 and $\overline{\text{BHE}}$ determine whether one bank or both banks participate in the data transfer.

11.3 Wait States



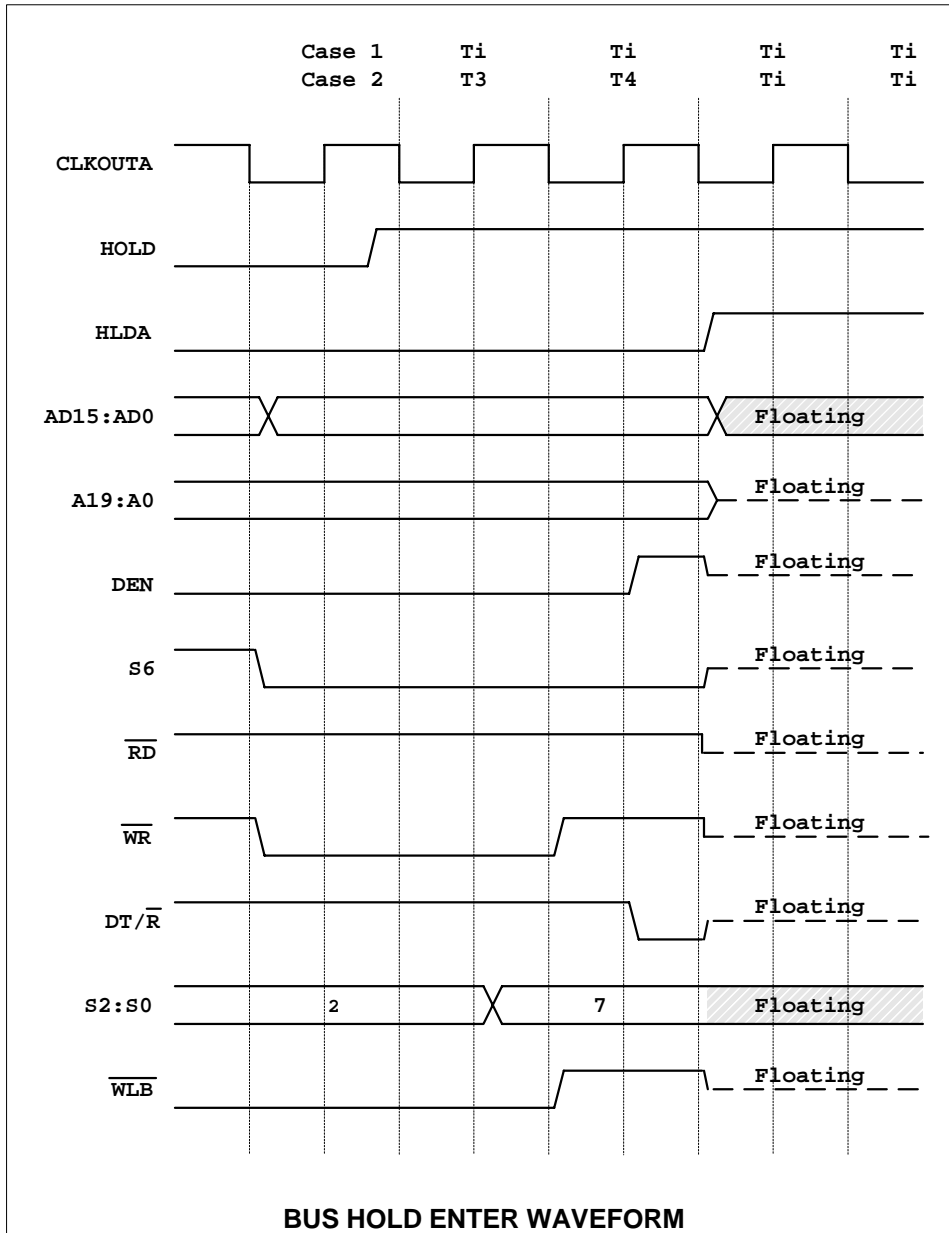
Wait states extend the data phase of the bus cycle. The ARDY or SRDY input with low level will insert wait states. If R2 bit=0, The user also can insert wait state by programming the internal chip select registers.

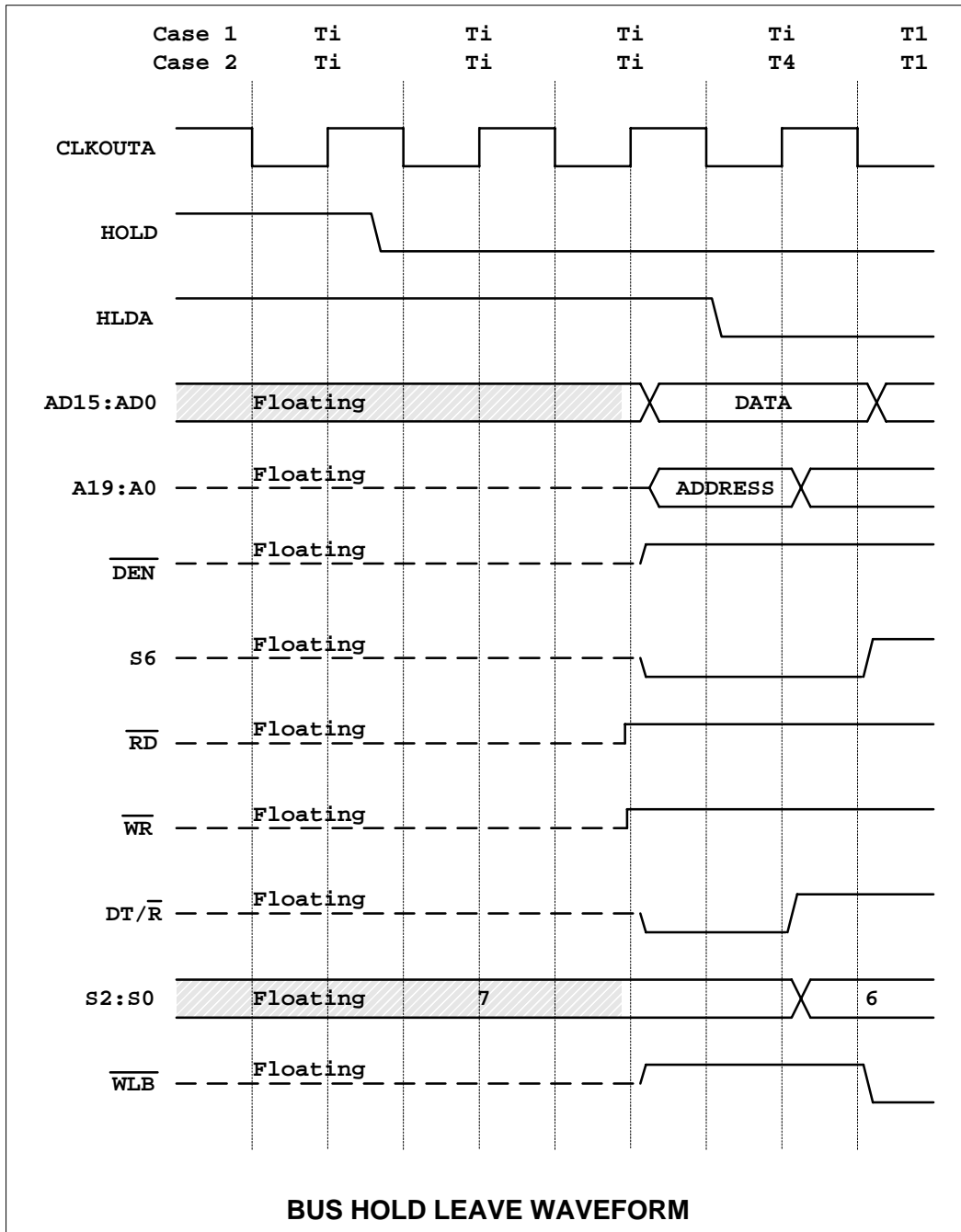
The R2 bit of UMCS (offset 0A0h) default is low, so each one of the ARDY or SRDY should be in ready state (with pull high resistor) when it is at power on reset or external reset.

The wait state counter value is decided by the R3, R1, R0 bits in each chip select register. There are five group R3, R1, R0 bits in the registers offset A0h, A2h, A4h, A6h, A8h. Each group is independent.

11.4 Bus Hold

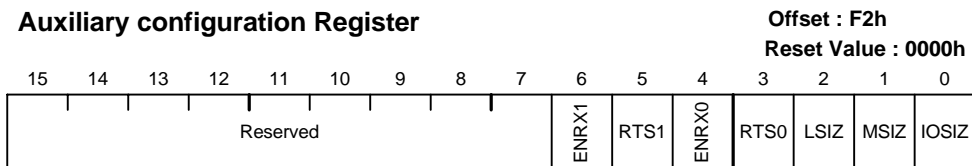
When the bus hold is requested (HOLD pin active high) by the another bus master, the microprocessor will issue a HLDA in response to a HOLD request at the end of T4 or Ti. When the microprocessor is in hold status (HLDA is high), the AD15-AD0, A19-A0, \overline{WR} , \overline{RD} , \overline{DEN} , $\overline{S1-S0}$, $\overline{S6}$, \overline{BHE} , $\overline{DT/R}$, \overline{WHB} and \overline{WLB} are floating, and the \overline{UCS} , \overline{LCS} , $\overline{PCS6-PCS5}$, $\overline{MCS3-MCS0}$ and $\overline{PCS3-PCS0}$ will be driven high. After HOLD is detected as being low, the microprocessor will lower the HLDA.





11.5 Bus Width

The R1120 default is 16 bits bus access. And the bus can be programmed as 8-bits or 16-bits access during memory or I/O access is located in the $\overline{\text{LCS}}$ or $\overline{\text{MCSx}}$ or $\overline{\text{PCSx}}$ address space. The $\overline{\text{UCS}}$ code- fetched selection is 16 bits bus width, which can not be changed by programmed the register.



Bit 15-8: Reserved.

Bit 7:USIZ, Boot code bus width. This bit reflects the $\overline{\text{S2}}/\overline{\text{BWSEL}}$ pin input status when $\overline{\text{RST}}$ pin goes from low to high.

Set to 0 : 16 bit bus width booting when $\overline{\text{S2}}/\overline{\text{BWSEL}}$ pin without pull low resistor.

Set to 1 : 8 bit bus width booting when $\overline{\text{S2}}/\overline{\text{BWSEL}}$ pin with 10k ohm pull low resistor..

Bit 6: ENRX1, Enable the Receiver Request of Serial port 1.

Set 1: The $\overline{\text{CTS1}}/\overline{\text{ENRX1}}$ pin is configured as $\overline{\text{ENRX1}}$

Set 0: The $\overline{\text{CTS1}}/\overline{\text{ENRX1}}$ pin is configured as $\overline{\text{CTS1}}$

Bit 5: RTS1, Enable Request to Send of Serial port 1.

Set 1: The $\overline{\text{RTR1}}/\overline{\text{RTS1}}$ pin is configured as $\overline{\text{RTS1}}$

Set 0: The $\overline{\text{RTR1}}/\overline{\text{RTS1}}$ pin is configured as $\overline{\text{RTR1}}$

Bit 4: ENRX0, Enable the Receiver Request of Serial port 0.

Set 1: The $\overline{\text{CTS0}}/\overline{\text{ENRX0}}$ pin is configured as $\overline{\text{ENRX0}}$

Set 0: The $\overline{\text{CTS0}}/\overline{\text{ENRX0}}$ pin is configured as $\overline{\text{CTS0}}$

Bit 3: RTS0, Enable Request to Send of Serial port 0.

Set 1: The $\overline{\text{RTR0}}/\overline{\text{RTS0}}$ pin is configured as $\overline{\text{RTS0}}$

Set 0: The $\overline{\text{RTR0}}/\overline{\text{RTS0}}$ pin is configured as $\overline{\text{RTR0}}$

Bit 2: LSIZ, $\overline{\text{LCS}}$ Data Bus Size selection. This bit can not be changed while executing from $\overline{\text{LCS}}$ space or while the Peripheral Control Block is overlaid with $\overline{\text{PCS}}$ space.

Set 1: 8 bits data bus access when the memory access located in the $\overline{\text{LCS}}$ memory space.

Set 0: 16 bits data bus access when the memory access located in the $\overline{\text{LCS}}$ memory space.

Bit 1: MSIZ, $\overline{\text{MCSx}}$, $\overline{\text{PCSx}}$ Memory Data Bus Size selection. This bit can not be changed while executing from the associated or while the Peripheral Control Block is overlaid on this address space.

Set 1: 8 bits data bus access when the memory access locate in the selection memory space.

Set 0 : 16 bits data bus access when the memory access locate in the selection memory space.

Bit 0: IOSIZ, I/O Space Data Bus Size selection. This bit determines the width of the data bus for all I/O space accesses.

Set 1: 8 bits data bus access.

Set 0 : 16 bits data bus access.

12. Chip Select Unit

The Chip Select Unit provides 12 programmable chip select pins to access a specific memory or peripheral device.

The chip selects are programmed through five peripheral control registers (A0h, A2h, A4h, A6h, A8h). And all of the chip selects can be inserted wait states by programming the peripheral control register.

12.1 $\overline{\text{UCS}}$

The $\overline{\text{UCS}}$ default to active on reset for program code access. The memory active range is upper 512k (80000h – FFFFFh), which is programmable. And the default memory active range of $\overline{\text{UCS}}$ is 64k (F0000h – FFFFFh).

The $\overline{\text{UCS}}$ activates to drive low four CLKOUTA oscillators if no wait state inserts. There are three wait-states inserted to $\overline{\text{UCS}}$ active cycle on reset.

Upper Memory Chip Select Register											Offset : A0h Reset Value :F03Bh				
15	14	13	12	11	10	9	8	7	6	5	4	3	2	1	0
1	LB2 - LB0		0	0	0	0	DA	0	1	1	1	R3	R1	R0	

Bit 15 : Reserved

Bit 14-12 : LB2-LB0, Memory block size selection for $\overline{\text{UCS}}$ chip select pin.

The $\overline{\text{UCS}}$ chip select pin active region can be configured by the LB2-LB0.

The default memory block size is from F0000h to FFFFFh.

LB2, LB1, LB0 ---- Memory Block size , Start address , End Address

1 , 1 , 1 ----	64k	, F0000h	, FFFFFh
1 , 1 , 0 ----	128k	, E0000h	, FFFFFh
1 , 0 , 0 ----	256k	, C0000h	, FFFFFh
0 , 0 , 0 ----	512k	, 80000h	, FFFFFh

Bit 11-8 : Reserved

Bit 7 : DA , Disable Address. If the $\overline{\text{BHE}} / \overline{\text{ADEN}}$ pin is held high on the rising edge of $\overline{\text{RST}}$, then the DA bit is valid to enable/disable the address phase of the AD bus. If the $\overline{\text{BHE}} / \overline{\text{ADEN}}$ pin is held high on the rising edge of $\overline{\text{RST}}$, the AD bus will always drive the address and data.

Set 1 : Disable the address phase of the AD15 – AD0 bus cycle when $\overline{\text{UCS}}$ is asserted.

Set 0 : Enable the address phase of the AD15 – AD0 bus cycle when $\overline{\text{UCS}}$ is asserted.

Bit 6-4: Reserved

Bit 2 : R2, Ready Mode. This bit is used to configure the ready mode for $\overline{\text{UCS}}$ chip select.

Set 1: external ready is ignored.

Set 0: external ready is required.

Bit 3, 1, 0 : R3,R1,R0, Wait-State value. When R2 is set to 0, it can insert wait-state into an access to the $\overline{\text{UCS}}$ memory area.

R3	R1	R0	Wait States
0	0	0	0
0	0	1	1
0	1	0	2
0	1	1	3
1	0	0	5
1	0	1	7
1	1	0	9
1	1	1	15

12.2 $\overline{\text{LCS}}$

The lower 512k bytes (00000h-7FFFFh) memory region chip selects. The memory active range is programmable, which has no default size on reset. So the A2h register must be programmed first before to access the target memory range. The $\overline{\text{LCS}}$ pin is not active on reset, but any read or write access to the A2h register activates this pin.

Low Memory Chip Select Register

Offset : A2h

Reset Value : —

15	14	13	12	11	10	9	8	7	6	5	4	3	2	1	0
0	UB2 - UB0			1	1	1	1	DA	PSE	1	1	1	R2	R1	R0

Bit 15: Reserved

Bit 14-12 : UB2-UB0, Memory block size selection for $\overline{\text{LCS}}$ chip select pin

The $\overline{\text{LCS}}$ chip select pin active region can be configured by the UB2-UB0.

The $\overline{\text{LCS}}$ pin is not active on reset, but any read or write access to the A2h (LMCS) register activates this pin.

UB2, UB1, UB0 ---- **Memory Block size** , **Start address** , **End Address**

0	0	0	----	64k	,	00000h	,	0FFFFh
0	0	1	----	128k	,	00000h	,	1FFFFh
0	1	1	----	256k	,	00000h	,	3FFFFh
1	1	1	----	512k	,	00000h	,	7FFFFh

Bit 11-8 : Reserved

Bit 7 : DA , Disable Address. If the $\overline{\text{BHE}} / \overline{\text{ADEN}}$ pin is held high on the rising edge of $\overline{\text{RST}}$, then the DA bit is valid to enable/disable the address phase of the AD bus. If the $\overline{\text{BHE}} / \overline{\text{ADEN}}$ pin is held low on the rising edge of $\overline{\text{RST}}$, the AD bus will always drive the address and data.

Set 1 : Disable the address phase of the AD15 – AD0 bus cycle when $\overline{\text{LCS}}$ is asserted.

Set 0 : Enable the address phase of the AD15 – AD0 bus cycle when $\overline{\text{LCS}}$ is asserted.

Bit 6 : PSE , PSRAM Mode Enable. This bit is used to enable PSRAM support for the $\overline{\text{LCS}}$ chip select memory space. The refresh control unit registers E0h,E2h,E4h must be configured for auto refresh before PSRAM support is enabled.

PSE set to 1: PSRAM support is enable

PSE set to 0: PSRAM support is disable

Bit 5-3: Reserved

Bit 2 : R2, Ready Mode. This bit is used to configure the ready mode for $\overline{\text{LCS}}$ chip select.

Set 1: external ready is ignored.

Set 0: external ready is required.

Bit 3,1,0 : R3,R1,R0, Wait-State value. When R2 is set to 0, it can insert wait-state into an access to the $\overline{\text{LCS}}$ memory area.

(R1,R0) = (0,0) -- 0 wait-state ; (R1,R0) = (0,1) -- 1 wait-state

(R1,R0) = (1,0) -- 2 wait-state ; (R1,R0) = (1,1) -- 3 wait-state

12.3 $\overline{\text{MCSx}}$

The memory block of $\overline{\text{MCS4}}$ - $\overline{\text{MCS0}}$ can be located anywhere within the 1M bytes memory space, exclusive of the areas associated with the $\overline{\text{UCS}}$ and $\overline{\text{LCS}}$ chip selects. The maximum $\overline{\text{MCSx}}$ active memory range is 512k bytes.

The $\overline{\text{MCSx}}$ chip selects are programmed through two registers A6h and A8h, and these select pins are not active on reset.

Both A6h and A8h registers must be accessed with a read or write to activate $\overline{\text{MCS4}}$ - $\overline{\text{MCS0}}$. There aren't default value on A6h and A8h registers, so the A6h and A8h must be programmed first before $\overline{\text{MCS4}}$ - $\overline{\text{MCS0}}$ active.

Midrange Memory Chip Select Register

Offset : A6h

Reset Value : —

15	14	13	12	11	10	9	8	7	6	5	4	3	2	1	0
BA19 - BA13								1	1	1	1	1	R2	R1	R0

Bit 15-7 : BA19-BA13, Base Address. The BA19-BA13 correspond to bits 19-13 of the 1M bytes (20-bits) programmable base address of the $\overline{\text{MCS}}$ chip select block. The bits 12 to 0 of the base address are always 0.

The base address can be set to any integer multiple of the size of the memory block size selected in these bits. For example, if the midrange block is 32Kbytes, only the bits BA19 to BA15 can be programmed. So the block address could be locate at 20000h or 38000h but not in 22000h.

The base address of the $\overline{\text{MCS}}$ chip select can be set to 00000h only if the $\overline{\text{LCS}}$ chip select is not active. And the $\overline{\text{MCS}}$ chip select address range is not allowed to overlap the $\overline{\text{LCS}}$ chip select address range.

The $\overline{\text{MCS}}$ chip select address range is not allowed to overlap the $\overline{\text{UCS}}$ chip select address range, either.

Bit 8-3 : Reserved

Bit 2: R2, Ready Mode. This bit is configured to enable/disable the wait states insert for the $\overline{\text{MCS}}$ chip selects. The R1,R0 bits of this register determines the number of wait state to insert.

set to 1: external ready is ignored

set to 0: external ready is required

Bit 3,1,0 : R3,R1,R0, Wait-State value. The R1,R0 determines the number of wait states inserted into a $\overline{\text{MCS}}$ access.

(R1,R0) : (1,1) – 3 wait states , (1,0) – 2 wait states, (0,1) – 1 wait states , (0,0) – 0 wait states

PCS and $\overline{\text{MCS}}$ Auxiliary Register

Offset : A8h

Reset Value : —

15	14	13	12	11	10	9	8	7	6	5	4	3	2	1	0
1				M6 - M0				EX	MS	1	1	1	R2	R1	R0

Bit 15: Reserved

Bit 14-8: M6-M0, $\overline{\text{MCS}}$ Block Size. These bits determines the total block size for the $\overline{\text{MCS3}}$ - $\overline{\text{MCS0}}$ chip selects. Each individual chip select is active for one quarter of the total block size. For example, if the block size is 32K bytes and the base address is located at 20000h. The individual active memory address range of $\overline{\text{MCS3}}$ to $\overline{\text{MCS0}}$ is $\overline{\text{MCS0}}$ – 20000h to 21FFF, $\overline{\text{MCS1}}$ -22000 to 23FFFh, $\overline{\text{MCS2}}$ - 24000h to 25FFFh, $\overline{\text{MCS3}}$ - 26000h to 27FFFh. $\overline{\text{MCSx}}$ total block size is defined by M6-M0,

M6-M0 , **Total block size**, $\overline{\text{MCSx}}$ **address active range**

0000001b	,	8k	,	2k
0000010b	,	16k	,	4k
0000100b	,	32k	,	8k
0001000b	,	64k	,	16k
0010000b	,	128k	,	32k
0100000b	,	256k	,	64k
1000000b	,	512k	,	128k

Bit 7 : EX, Pin Selector. This bit configures the multiplex output which the $\overline{\text{PCS6}}$ - $\overline{\text{PCS5}}$ pins as chip selects or A2-A1.

Set 1 : $\overline{\text{PCS6}}$, $\overline{\text{PCS5}}$ are configured as peripheral chip select pins.

Set 0: $\overline{\text{PCS6}}$ is configured as address bit A2, $\overline{\text{PCS5}}$ is configured as A1.

Bit 6: MS, Memory or I/O space Selector.

Set 1: The $\overline{\text{PCSx}}$ pins are active for memory bus cycle.

Set 0: The $\overline{\text{PCSx}}$ pins are active for I/O bus cycle.

Bit 5-3 : Reserved

Bit 2 : R2, Ready Mode. This bit is configured to enable/disable the wait states insert for the $\overline{\text{PCS5}}$, $\overline{\text{PCS6}}$ chip selects. The R1,R0 bits of this register determines the number of wait state to insert.

set to 1: external ready is ignored

set to 0: external ready is required

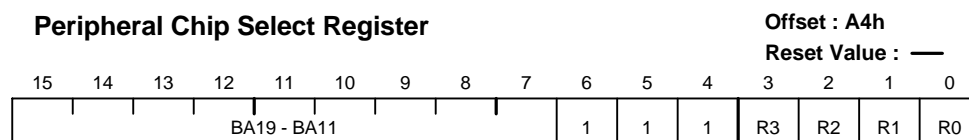
Bit 1-0 : R1-R0, Wait-State value. The R1,R0 determines the number of wait states insert into a $\overline{\text{PCS5}}$ - $\overline{\text{PCS6}}$ access.
(R1,R0) : (1,1) – 3 wait states , (1,0) – 2 wait states, (0,1) – 1 wait states , (0,0) – 0 wait states

12.4 $\overline{\text{PCSx}}$

The peripheral or memory chip selects which are programmed through A4h and A8h register to define these pins.

The base address memory block can be located anywhere within the 1M bytes memory space, exclusive of the areas associated with the $\overline{\text{MCS4}}$, $\overline{\text{LCS}}$ and $\overline{\text{MCS}}$ chip elects. If the chip selects are mapped to I/O space, the access range is 64k bytes.

$\overline{\text{PCS6}}$ – $\overline{\text{PCS5}}$ can be configured from 0 wait-state to 3 wait-states. $\overline{\text{PCS3}}$ – $\overline{\text{PCS0}}$ can be configured from 0 wait-state to 15 wait-states.



Bit 15-7 : BA19-BA11, Base Address. BA19-BA11 correspond to bit 19-11 of the 1M bytes (20-bits) programmable base address of the $\overline{\text{PCS}}$ chip select block.

When the PCS chip selects are mapped to I/O space, BA19-BA16 must be written to 0000b because the I/O address bus in only 64K bytes (16-bits) wide.

$\overline{\text{PCSx}}$ address range:

$\overline{\text{PCS0}}$:	Base Address	-	Base Address+255
$\overline{\text{PCS1}}$:	Base Address+256	-	Base Address+511
$\overline{\text{PCS2}}$:	Base Address+512	-	Base Address+767
$\overline{\text{PCS3}}$:	Base Address+768	-	Base Address+1023
$\overline{\text{PCS5}}$:	Base Address+1280	-	Base Address+1535
$\overline{\text{PCS6}}$:	Base Address+1536	-	Base Address+1791

Bit 6-4: Reserved

Bit 3: R3; Bit 1-0: R1,R0 ,Wait-State Value. The R3,R1,R0 determines the number of wait-states inserted into a $\overline{\text{PCS3}}$ - $\overline{\text{PCS0}}$ access.

R3,	R1,	R0	--	<u>Wait States</u>
0,	0,	0	--	0
0,	0,	1	--	1
0,	1,	0	--	2
0,	1,	1	--	3
1,	0,	0	--	5

1, 0, 1 -- 7

1, 1, 0 -- 9

1, 1, 1 -- 15

Bit 2 : R2, Ready Mode. This bit is configured to enable/disable the wait states insert for the $\overline{\text{PCS3}} - \overline{\text{PCS0}}$ chip selects.

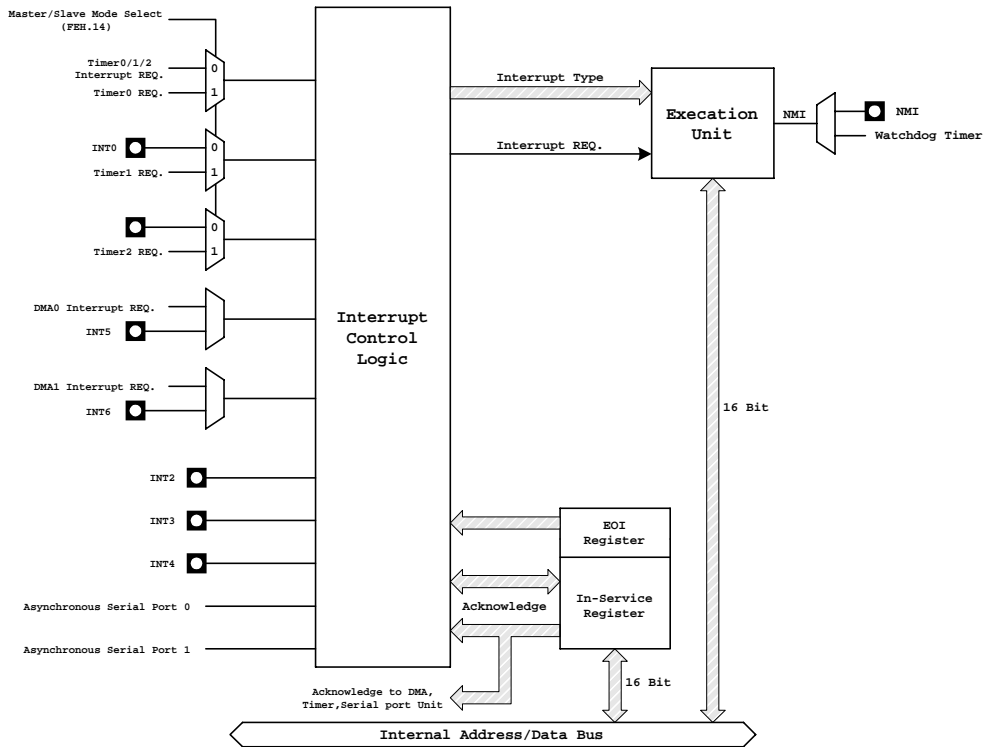
The R3,R1,R0 bits determines the number of wait state to insert.

set to 1: external ready is ignored

set to 0: external ready is required

13. Interrupt Controller Unit

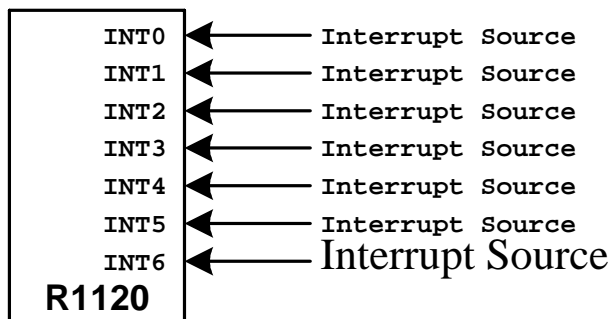
There are 16 interrupt requests source connect to the controller: 7 maskable interrupt pins (INT0 – INT6); 2 non-maskable interrupts (NMI pin , WDT) ; 7 internal unit request source (Timer 0, 1,2 ;DMA 0,1 ; Asynchronous serial port 0, 1).



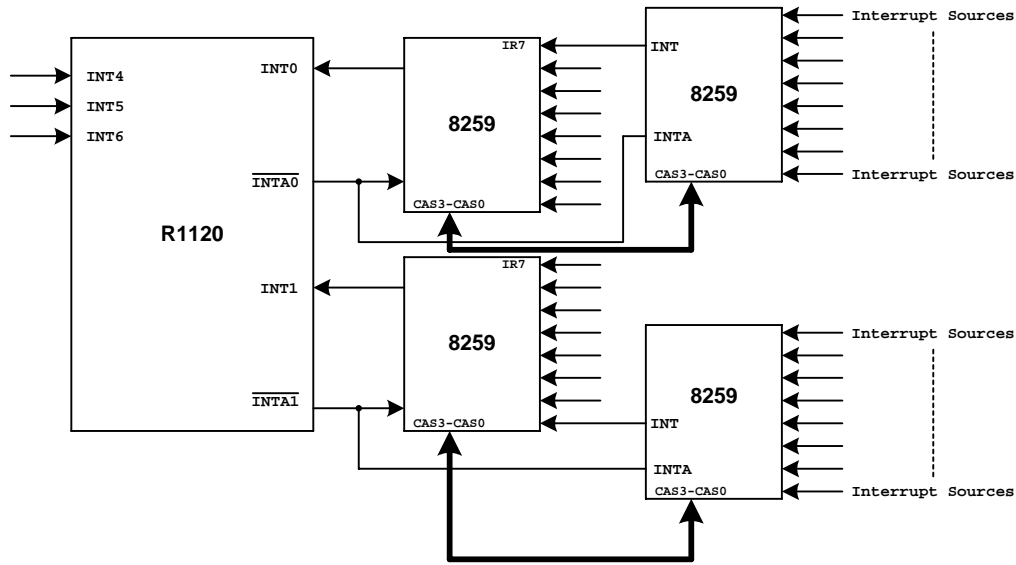
Interrupt Control Unit Block Diagram

13.1 Master Mode and Slave Mode

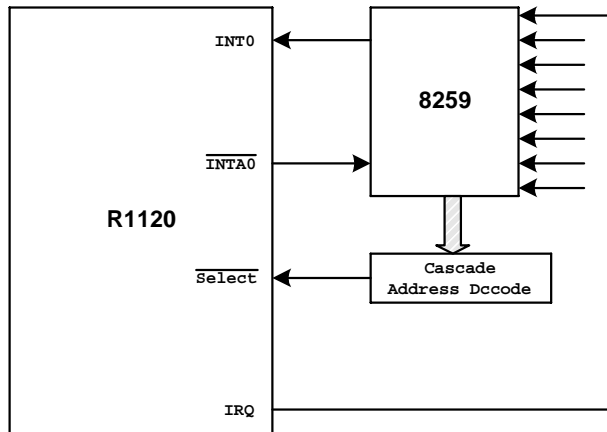
The interrupt controller can be programmed as a master or slave mode. (program FEh , bit 14). The master mode has two connections : Fully Nested Mode connection or Cascade Mode connection.



Fully Nested Mode Connections



Cascade Mode Connection



Slave Mode Connection

13.2 Interrupt Vector, Type and Priority

The following table shows the interrupt vector addresses, type and the priority. The maskable interrupt priority can be changed by programming the priority register. The Vector addresses for each interrupt are fixed.

Interrupt source	Interrupt Type	Vector Address	EOI Type	Priority	Note
Divide Error Exception	00h	00h		1	
Trace interrupt	01h	04h		1-1	*
NMI	02h	08h		1-2	*

Breakpoint Interrupt	03h	0Ch		1	
INT0 Detected Over Flow Exception	04h	10h		1	
Array Bounds Exception	05h	14h		1	
Undefined Opcode Exception	06h	18h		1	
ESC Opcode Exception	07h	1Ch		1	
Timer 0	08h	20h	08	2-1	*/**
Reserved	09h				
DMA 0/INT5	0Ah	28h	0A	3	**
DMA 1/INT6	0Bh	2Ch	0B	4	**
INT0	0Ch	30h	0C	5	
INT1	0Dh	34h	0D	6	
INT2	0Eh	38h	0E	7	
INT3	0Fh	3Ch	0F	8	
INT4	10h	40h	10	9	
Asynchronous Serial port 1	11h	44h	11	9	
Timer 1	12h	48h	08	2-2	*/**
Timer 2	13h	4Ch	08	2-3	*/**
Asynchronous Serial port 0	14h	50h	14	9	
Reserved	15h-1Fh				

Note * : When the interrupt occurs in the same time, the priority is (1-1 > 1-2) ; (2-1 > 2-2 > 2-3)

Note **: The interrupt types of these sources are programmable in slave mode.

13.3 Interrupt Request

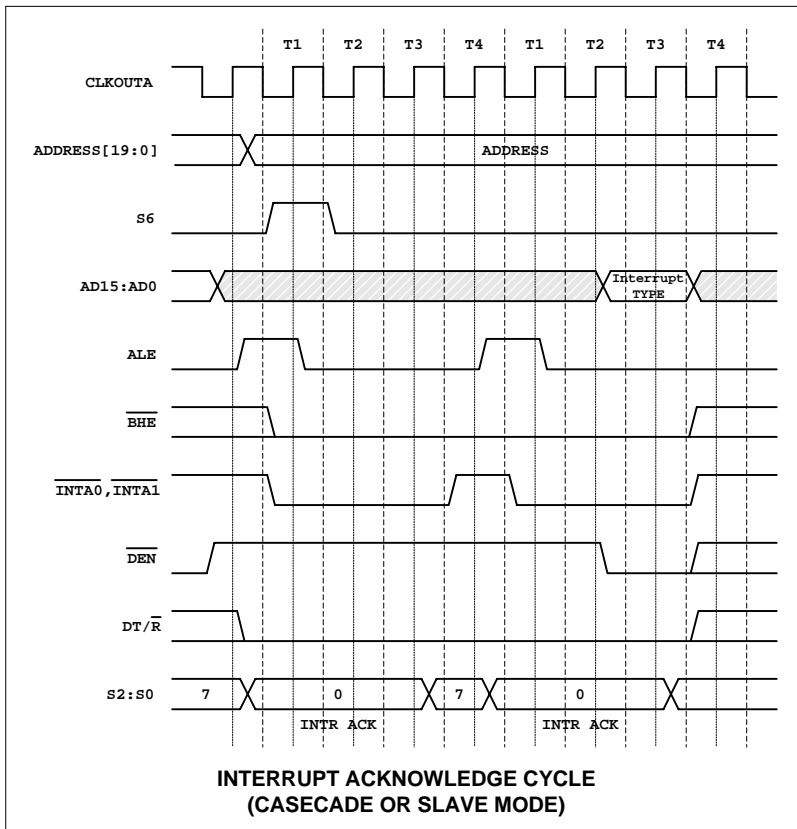
When an interrupt is requested, the internal interrupt controller verifies the interrupt is enable (The IF flag is enable, no MSK bit set) and there are no higher priority interrupt requests being serviced or pending. If the interrupt is granted , the interrupt controller uses the interrupt type to access a vector from the interrupt vector table.

If the external INT is active (level-trigger) to request the interrupt controller service, and the INT pins must hold till the microcontroller enter the interrupt service routine. There is no interrupt-acknowledge output when running in fully nested mode, so it should use PIO pin to simulate the interrupt-acknowledge pin if necessary.

13.4 Interrupt Acknowledge

The processor requires the interrupt type as an index into the interrupt table. The internal interrupt can provide the interrupt type or an external controller can provide the interrupt type.

The internal interrupt controller provides the interrupt type to processor without external bus cycles generation. When an external interrupt controller is supplying the interrupt type, the processor generates two acknowledge bus cycles, and the interrupt type is written to the AD7-AD0 lines by the external interrupt controller.



13.5 Programming the Registers

Software is programmed through the registers (**Master mode:** 44h, 42h, 40h, 3Eh, 3Ch, 3Ah, 38h, 36h, 34h, 32h, 30h, 2Eh, 2Ch, 2Ah, 28h, 26h, 24h, 22h; **Slave Mode:** 3Ah, 38h, 36h, 34h, 32h, 30h, 2Eh, 2Ch, 2Ah, 28h,22h, 20h) to define the interrupt controller operation.

Serial Port 0 Interrupt Control Register

Offset : 44h
Reset Value : 000Fh

15	14	13	12	11	10	9	8	7	6	5	4	3	2	1	0
Reserved											1	MSK	PR2	PR1	PR0

(Master Mode)

Bit 15-4 : Reserved

Bit 3: MSK, Mask.

Set 1: Mask the interrupt source of the asynchronous serial port 0.

Set 0: Enable the serial port 0 interrupt.

Bit 2-0 : PR2-PR0, Priority. These bits determine the priority of the serial port relative to the other interrupt signals.

The priority selection:

PR2, PR1, PR0 -- Priority

- 0 , 0, 0 -- 0 (High)
- 0 , 0, 1 -- 1
- 0 , 1, 0 -- 2
- 0 , 1, 1 -- 3
- 1 , 0, 0 -- 4
- 1 , 0, 1 -- 5
- 1 , 1, 0 -- 6
- 1 , 1, 1 -- 7 (Low)

Serial Port 1 Interrupt Control Register

Offset : 42h
Reset Value : 000Fh

15	14	13	12	11	10	9	8	7	6	5	4	3	2	1	0
Reserved											1	MSK	PR2	PR1	PR0

(Master Mode)

Bit 15-4 : Reserved

Bit 3: MSK, Mask.

Set 1: Mask the interrupt source of the asynchronous serial port 1.

Set 0: Enable the serial port 1 interrupt.

Bit 2-0 : PR2-PR0, Priority. These bits determine the priority of the serial port relative to the other interrupt signals.

The priority selection:

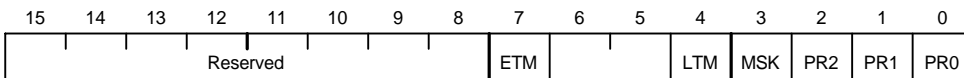
PR2, PR1, PR0 -- Priority

- 0 , 0, 0 -- 0 (High)
- 0 , 0, 1 -- 1
- 0 , 1, 0 -- 2
- 0 , 1, 1 -- 3
- 1 , 0, 0 -- 4
- 1 , 0, 1 -- 5
- 1 , 1, 0 -- 6
- 1 , 1, 1 -- 7 (Low)

INT4 Control Register

Offset : 40h

Reset Value : 000Fh



(Master Mode)

Bit 15- 8, bit 6-5 : Reserved

Bit 7: ETM, Edge trigger enable. When this bit is set to 1 and Bit 4 set to 0, interrupt is triggered by low go high edge.

The low go high edge will be latched (one level) till this interrupt is been serviced.

Bit 4: LTM, Level-Triggered Mode.

Set 1: Interrupt is triggered by high active level

Set 0 : Interrupt is triggered by low go high edge.

Bit 3 : MSK, Mask.

Set 1: Mask the interrupt source of the INT4

Set 0: Enable the INT4 interrupt.

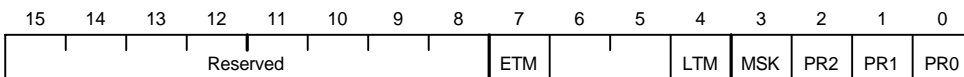
Bit 2-0: PR, Interrupt Priority

These bits setting for priority selection is same as bit 2-0 of 44h

INT3 Control Register

Offset : 3Eh

Reset Value : 000Fh



(Master Mode)

Bit 15- 8, bit 6- 5 : Reserved

Bit 7: ETM, Edge trigger enable. When this bit set to 1 and Bit 4 set to 0, interrupt is triggered by low go high edge.

The low go high edge will be latched (one level) till this interrupt is been serviced.

Bit 4: LTM, Level-Triggered Mode.

Set 1: Interrupt is triggered by high active level

Set 0 : Interrupt is triggered by low go high edge.

Bit 3 : MSK, Mask.

Set 1: Mask the interrupt source of the INT3

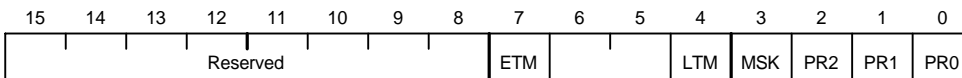
Set 0: Enable the INT3 interrupt.

Bit 2-0: PR, Interrupt Priority

These bits setting for priority selection is same as bit 2-0 of 44h

INT2 Control Register

Offset : 3Ch
Reset Value : 000Fh



(Master Mode)

Bit 15- 8, bit 6-5 : Reserved

Bit 7: ETM, Edge trigger enable. When this bit is set to 1 and Bit 4 set to 0, interrupt is triggered by low go high edge.

The low go high edge will be latched (one level) till this interrupt is been serviced.

Bit 4: LTM, Level-Triggered Mode.

Set 1: Interrupt is triggered by high active level

Set 0 : Interrupt is triggered by low go high edge.

Bit 3 : MSK, Mask.

Set 1: Mask the interrupt source of the INT2

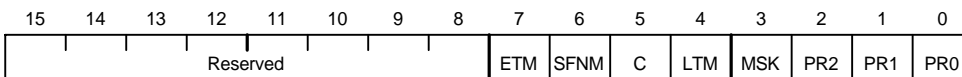
Set 0: Enable the INT2 interrupt.

Bit 2-0: PR, Interrupt Priority

These bits setting for priority selection is same as bit 2-0 of the register 44h

INT1 Control Register

Offset : 3Ah
Reset Value : 000Fh



(Master Mode)

Bit 15-8 : Reserved

Bit 7: ETM, Edge trigger enable. When this bit is set to 1 and Bit 4 set to 0, interrupt is triggered by low go high edge.

The low go high edge will be latched (one level) till this interrupt is been serviced.

Bit 6: SFNM, Special Fully Nested Mode.

Set 1: Enable the special fully nested mode of INT1

Bit 5: C, Cascade Mode. Set this bit to 1 to enable the cascade mode for INT1 or INT0.

Bit 4: LTM, Level-Triggered Mode.

Set 1: Interrupt is triggered by high active level

Set 0 : Interrupt is triggered by low go high edge.

Bit 3 : MSK, Mask.

Set 1: Mask the interrupt source of the INT1

Set 0: Enable the INT1 interrupt.

Bit 2-0: PR, Interrupt Priority

These bits setting for priority selection is same as bit 2-0 of the register 44h

(Slave Mode) , This register is for timer 2 interrupt control, reset value is 0000h

Bit 15- 4 : Reserved

Bit 3 : MSK, Mask.

Set 1: Mask the interrupt source of the Timer 2

Set 0: Enable the Timer 2 interrupt.

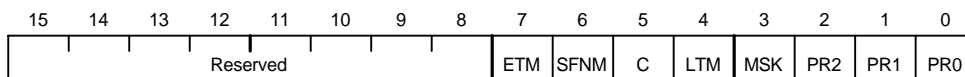
Bit 2-0: PR, Interrupt Priority

These bits setting for priority selection is same as bit 2-0 of the register 44h

INT0 Control Register

Offset : 38h

Reset Value : 000Fh



(Master Mode)

Bit 15-8 : Reserved

Bit 7: ETM, Edge trigger enable. When this bit set to 1 and Bit 4 set to 0, interrupt is triggered by low go high edge.

The low go high edge will be latched (one level) till this interrupt is been serviced.

Bit 6: SFNM, Special Fully Nested Mode.

Set 1: Enable the special fully nested mode of INT0.

Bit 5: C, Cascade Mode. Set this bit to 1 to enable the cascade mode for INT1 or INT0.

Bit 4: LTM, Level-Triggered Mode.

Set 1: Interrupt is triggered by high active level

Set 0 : Interrupt is triggered by low go high edge.

Bit 3 : MSK, Mask.

Set 1: Mask the interrupt source of the INT0

Set 0: Enable the INT0 interrupt.

Bit 2-0: PR, Interrupt Priority

These bits setting for priority selection is same as bit 2-0 of the register 44h

(Slave Mode),For Timer 1 interrupt control register, reset value is 0000h

Bit 15-4 : Reserved

Bit 3: MSK , Mask.

Set 1: Mask the interrupt source of the timer 1

Set 0: Enable the timer 1 interrupt.

Bit 2-0: PR, Interrupt Priority

These bits setting for priority selection is same as bit 2-0 of the register 44h

DMA 1/INT6 Interrupt Control Register

Offset : 36h
Reset Value : 000Fh

15	14	13	12	11	10	9	8	7	6	5	4	3	2	1	0
0	0	0	0	0	0	0	0	0	0	0	0	MSK	PR2	PR1	PR0

(Master Mode)

Bit 15-4 : Reserved

Bit 3: MSK , Mask.

Set 1: Mask the interrupt source of the DMA 1 controller

Set 0: Enable the DMA 1 controller interrupt.

Bit 2-0: PR, Interrupt Priority

These bits setting for priority selection is same as bit 2-0 of the register 44h

(Slave Mode), reset value is 0000h

Bit 15-4 : Reserved

Bit 3: MSK , Mask.

Set 1: Mask the interrupt source of the DMA 1 controller

Set 0: Enable the DMA 1 controller interrupt.

Bit 2-0: PR, Interrupt Priority

These bits setting for priority selection is same as bit 2-0 of the register 44h

DMA 0/INT5 Interrupt Control Register

Offset : 34h
Reset Value : 000Fh

15	14	13	12	11	10	9	8	7	6	5	4	3	2	1	0
0	0	0	0	0	0	0	0	0	0	0	0	MSK	PR2	PR1	PR0

(Master Mode)

Bit 15-4 : Reserved

Bit 3: MSK , Mask.

Set 1: Mask the interrupt source of the DMA 0 controller

Set 0: Enable the DMA 0 controller interrupt.

Bit 2-0: PR, Interrupt Priority

These bits setting for priority selection is same as bit 2-0 of the register 44h

(Slave Mode), reset value is 0000h

Bit 15-4 : Reserved

Bit 3: MSK , Mask.

Set 1: Mask the interrupt source of the DMA 0 controller

Set 0: Enable the DMA 1 controller interrupt.

Bit 2-0: PR, Interrupt Priority

These bits setting for priority selection is same as bit 2-0 of the register 44h

Timer Interrupt Control Register

Offset : 32h

Reset Value : 000Fh

15	14	13	12	11	10	9	8	7	6	5	4	3	2	1	0
0	0	0	0	0	0	0	0	0	0	0	0	MSK	PR2	PR1	PR0

(Master Mode)

Bit 15-4 : Reserved

Bit 3: MSK , Mask.

Set 1: Mask the interrupt source of the timer controller

Set 0: Enable the timer controller interrupt.

Bit 2-0: PR, Interrupt Priority

These bits setting for priority selection is same as bit 2-0 of the register 44h

(Slave Mode), reset value is 0000h

Bit 15-4 : Reserved

Bit 3: MSK , Mask.

Set 1: Mask the interrupt source of the timer 0 controller

Set 0: Enable the timer 0 controller interrupt.

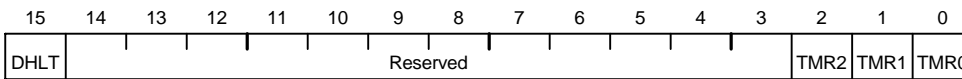
Bit 2-0: PR, Interrupt Priority

These bits setting for priority selection is same as bit 2-0 of the register 44h

Interrupt Status Register

Offset : 30h

Reset Value : —



(Master Mode), Reset value undefine

Bit 15 : DHLT, DMA Halt.

Set 1: halts any DMA activity. When non-maskable interrupts occur.

Set 0: When an IRET instruction is executed.

Bit 14-3 : Reserved.

Bit 2-0 : TMR2-TMR0,

Set 1: indicates the corresponding timer has an interrupt request pending.

(Slave Mode), Reset value is 0000h

Bit 15 : DHLT, DMA Halt.

Set 1: halts any DMA activity. When non-maskable interrupts occur.

Set 0: When an IRET instruction is executed.

Bit 14-3 : Reserved.

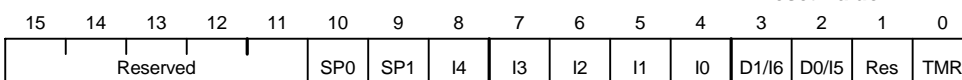
Bit 2-0 : TMR2-TMR0,

Set 1: indicates the corresponding timer has an interrupt request pending.

Interrupt Request Register

Offset : 2Eh

Reset Value : —



(Master Mode)

The Interrupt Request register is a read-only register. For internal interrupts (SP0, SP1, D1/I6, D0/I5, and TMR), the corresponding bit is set to 1 when the device requests an interrupt. The bit is reset during the internally generated interrupt acknowledge. For INT4-INT0 external interrupts, the corresponding bit (I4-I0) reflects the current value of the external signal.

Bit 15-11 : Reserved.

Bit 10 : SP0, Serial Port 0 Interrupt Request. Indicates the interrupt state of the serial port 0.

Bit 9 : SP1, Serial Port 1 Interrupt Request. Indicates the interrupt state of the serial port 1.

Bit 8-4 : I4-I0, Interrupt Requests.

Set 1: The corresponding INT pin has an interrupt pending.

Bit 3-2 : D1/I6-D0/I5, DMA Channel or INT Interrupt Request.

Set 1: The corresponding DMA channel or INT has an interrupt pending.

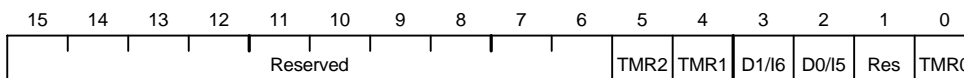
Bit 1: Reserved.

Bit 0 : TMR, Timer Interrupt Request.

Set 1: The timer control unit has an interrupt pending.

Interrupt Request Register

Offset : 2Eh
Reset Value : 0000h



(Slave Mode)

The Interrupt Request register is a read-only register. For internal interrupts (D1/I6, D0/I5, TMR2, TMR1, and TMR0), the corresponding bit is set to 1 when the device requests an interrupt. The bit is reset during the internally generated interrupt acknowledge.

Bit 15-6 : Reserved.

Bit 5-4 : TMR2/TMR1, Timer2/Timer1 Interrupt Request.

Set 1: Indicates the state of any interrupt requests form the associated timer.

Bit 3-2 : D1/I6-D0/I5, DMA Channel or INT Interrupt Request.

Set 1: Indicates the corresponding DMA channel or INT has an interrupt pending.

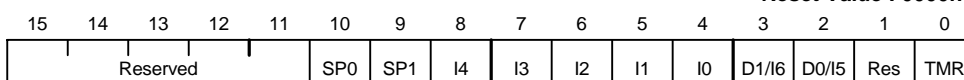
Bit 1 : Reserved.

Bit 0 : TMR0, Timer 0 Interrupt Request.

Set 1: Indicates the state of an interrupt request from Timer 0.

In - Service Register

Offset : 2Ch
Reset Value : 0000h



(Master Mode)

The bits in the INSERV register are set by the interrupt controller when the interrupt is taken. Each bit in the register is cleared by writing the corresponding interrupt type to the EOI register.

Bit 15-11 : Reserved.

Bit 10 : SP0, Serial Port 0 Interrupt In-Service.

Set 1: the serial port 0 interrupt is currently being serviced.

Bit 9 : SP1, Serial Port 1 Interrupt In-Service.

Set 1: the serial port 1 interrupt is currently being serviced.

Bit 8-4 : I4-I0, Interrupt In-Service.

Set 1: the corresponding INT interrupt is currently being serviced.

Bit 3-2 : D1/I6-D0/I5, DMA Channel or INT Interrupt In-Service.

Set 1: the corresponding DMA channel or INT interrupt is currently being serviced.

Bit 1 : Reserved.

Bit 0 : TMR, Timer Interrupt In-Service.

Set 1: the timer interrupt is currently being serviced.

In - Service Register

Offset : 2Ch
Reset Value : 0000h

15	14	13	12	11	10	9	8	7	6	5	4	3	2	1	0	
Reserved											TMR2	TMR1	D1	D0	Res	TMR0

(Slave Mode)

The bits in the In-Service register are set by the interrupt controller when the interrupt is taken. The in-service bits are cleared by writing to the EOI register.

Bit 15-6 : Reserved.

Bit 5-4 : TMR2-TMR1, Timer2/Timer1 Interrupt In-Service.

Set 1: the corresponding timer interrupt is currently being serviced.

Bit 3-2 : D1/I6-D0/I5, DMA Channel or INT Interrupt In-Service.

Set 1: the corresponding DMA Channel or INT Interrupt is currently being serviced.

Bit 1 : Reserved.

Bit 0 : TMR0, Timer 0 Interrupt In-Service.

Set 1: the Timer 0 interrupt is currently being serviced.

Priority Mask Register

Offset : 2Ah
Reset Value : 0007h

15	14	13	12	11	10	9	8	7	6	5	4	3	2	1	0
0	0	0	0	0	0	0	0	0	0	0	0	0	PRM2	PRM1	PRM0

(Master Mode)

Determining the minimum priority level at which maskable interrupts can generate an interrupt.

Bit 15-3 : Reserved.

Bit 2-0 : PRM2-PRM0, Priority Field Mask. Determining the minimum priority that is required in order for a maskable interrupt source to generate an interrupt.

Priority	PR2-PR0
(High) 0	000
1	001
2	010
3	011
4	100
5	101
6	110
(Low) 7	111

(Slave Mode)

Determining the minimum priority level at which maskable interrupts can generate an interrupt.

Bit 15-3 : Reserved.

Bit 2-0 : PRM2-PRM0, Priority Field Mask. Determining the minimum priority that is required in order for a maskable interrupt source to generate an interrupt.

Priority	PR2-PR0
(High) 0	000
1	001
2	010
3	011
4	100
5	101
6	110
(Low) 7	111

Interrupt Mask Register

Offset : 28h
Reset Value : 07FDh

15	14	13	12	11	10	9	8	7	6	5	4	3	2	1	0
Reserved				SP0	SP1	I4	I3	I2	I1	I0	D1/I6	D0/I5	Res	TMR	

(Master Mode)

Bit 15-11 : Reserved.

Bit 10 : SP0, Serial Port 0 Interrupt Mask. The state of the mask bit of the asynchronous serial port 0 interrupt.

Bit 9 : SP1, Serial Port 1 Interrupt Mask. The state of the mask bit of the asynchronous serial port 1 interrupt.

Bit 8-4 : I4-I0, Interrupt Masks. Indicates the state of the mask bit of the corresponding interrupt.

Bit 3-2 : D1/I6-D0/I5, DMA Channel or INT Interrupt Masks.

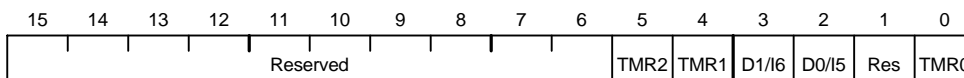
Indicates the state of the mask bit of the corresponding DMA Channel or INT interrupt.

Bit 1: Reserved.

Bit 0 : TMR, Timer Interrupt Mask. The state of the mask bit of the timer control unit .

Interrupt Request Register

Offset : 28h
Reset Value : 003Dh



(Slave Mode)

Bit 15-6 : Reserved.

Bit 5-4 : TMR2-TMR1, Timer 2/Timer1 Interrupt Mask. The state of the mask bit of the Timer Interrupt Control register.

Set 1: Timer2 or Time1 has its interrupt requests masked

Bit 3-2 : D1/I6-D0/I5, DMA Channel or INT Interrupt Mask.

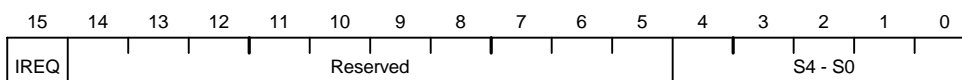
Indicating the state of the mask bits of the corresponding DMA or INT6/INT5 control register.

Bit 1 : Reserved.

Bit 0 : TMR0, Timer 0 Interrupt Mask. The state of the mask bit of the Timer Interrupt Control Register

Poll Status Register

Offset : 26h
Reset Value : —



(Master Mode)

The Poll Status (POLLST) register mirrors the current state of the Poll register. The POLLST register can be read without affecting the current interrupt request.

Bit 15 : IREQ, Interrupt Request.

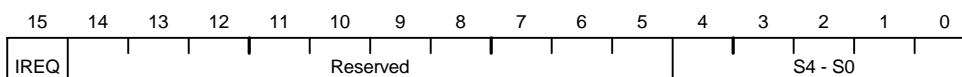
Set 1: if an interrupt is pending. The S4-S0 field contains valid data.

Bit 14-5 : Reserved.

Bit 4-0 : S4-S0, Poll Status. Indicates the interrupt type of the highest priority pending interrupt.

Poll Register

Offset : 24h
Reset Value : —



(Master Mode)

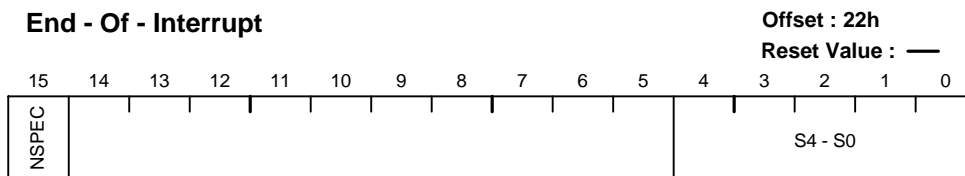
When the Poll register is read, the current interrupt is acknowledged and the next interrupt takes its place in the Poll register.

Bit 15 : IREQ, Interrupt Request.

Set 1: if an interrupt is pending. The S4-S0 field contains valid data.

Bit 14-5 : Reserved.

Bit 4-0 : S4-S0, Poll Status. Indicates the interrupt type of the highest priority pending interrupt.



(Master Mode)

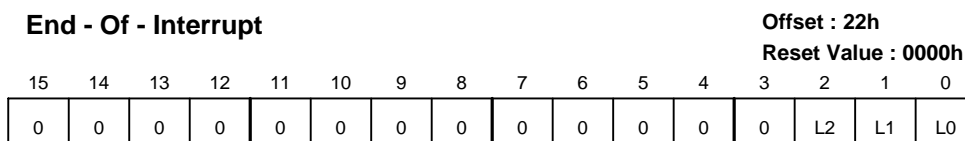
Bit 15 : NSPEC, Non-Specific EOI.

Set 1: indicates non-specific EOI.

Set 0: indicates the specific EOI interrupt type in S4-S0.

Bit 14-5 : Reserved.

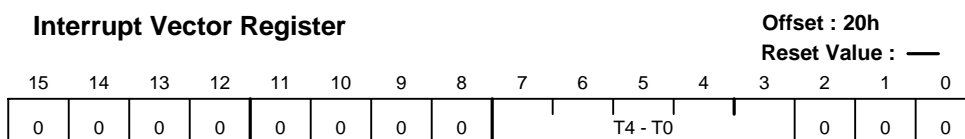
Bit 4-0: S4-S0, Source EOI Type. Specifies the EOI type of the interrupt that is currently being processed.



(Slave Mode)

Bit 15-3 : Reserved.

Bit 2-0 : L2-L0, Interrupt Type. Encoded value indicating the priority of the IS(interrupt service) bit to reset. Writes to these bits cause an EOI to be issued for the interrupt type in slave mode.



(Slave Mode)

Bit 15-8 : Reserved

Bit 7-3 : T4-T0, Interrupt Type.

The following interrupt type of slave mode can be programmed.

Timer 2 interrupt controller : (T4,T3,T2,T1,T0, 1, 0, 1)b

Timer 1 interrupt controller : (T4,T3,T2,T1,T0, 1, 0, 0)b

DMA 1 interrupt controller : (T4,T3,T2,T1,T0, 0, 1, 1)b

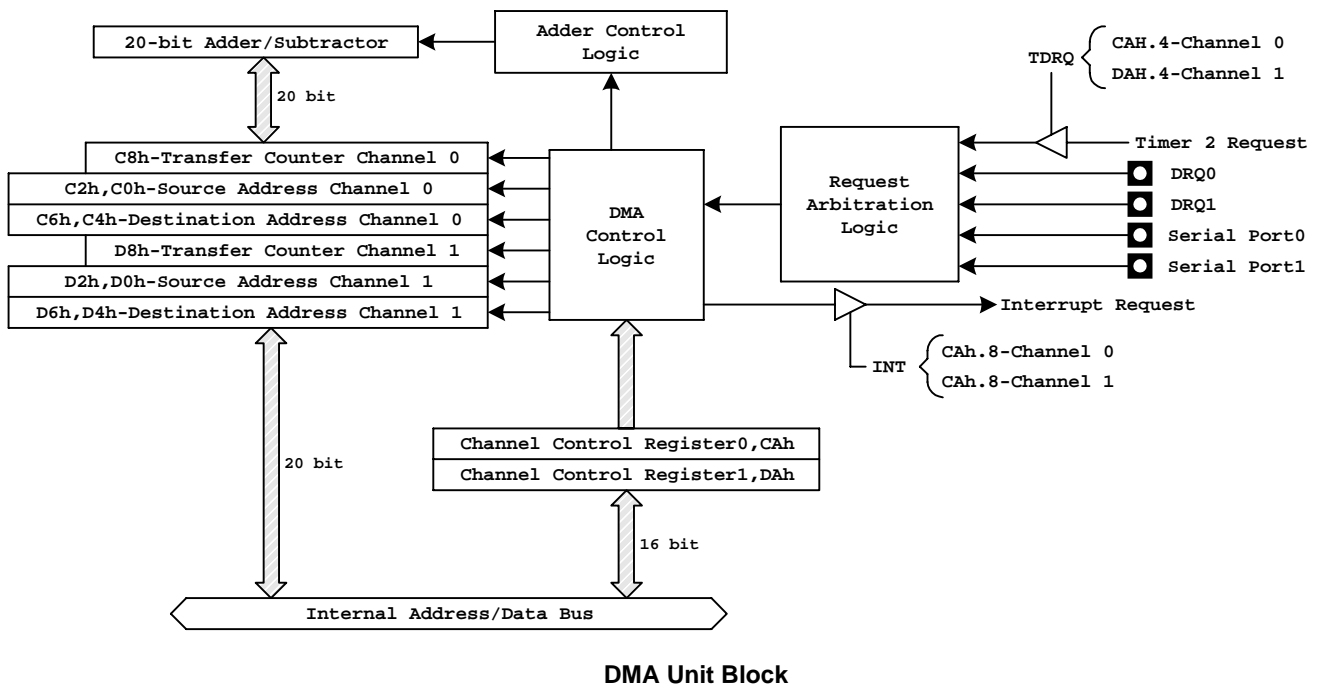
DMA 0 interrupt controller : (T4,T3,T2,T1,T0, 0, 1, 0)b

Timer 0 interrupt controller : (T4,T3,T2,T1,T0, 0, 0, 0)b

Bit 2-0 :Reserved

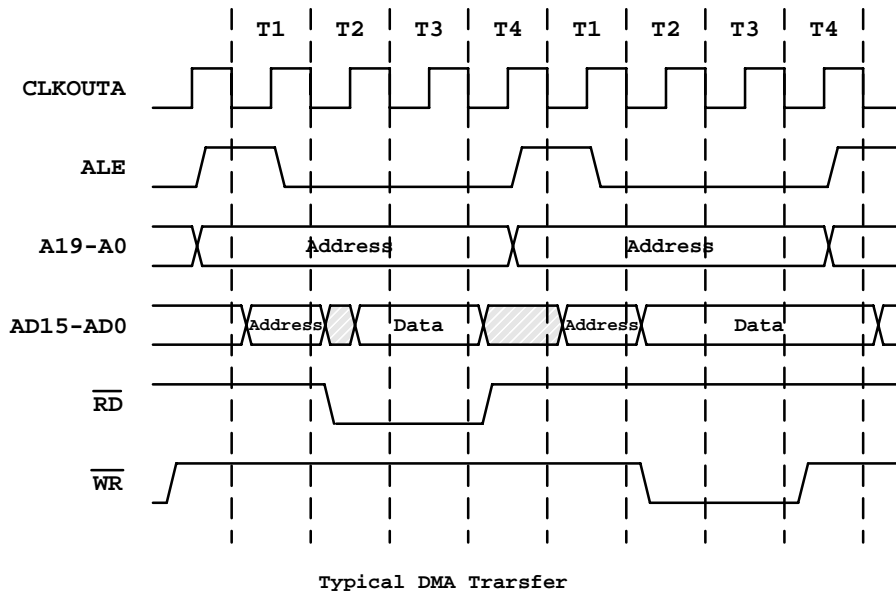
14. DMA Unit

The DMA controller provides the data transfer between the memory and peripherals without the intervention of the CPU. There are two DMA channels in the DMA unit. Each channel can accept DMA request from one of three sources: external pin (DRQ0 for channel 0 or DRQ1 for channel 1) or serial port (port 0 or port 1) or Timer 2 overflow. The data transfer from source to destination can be memory to memory, or memory to I/O, or I/O to I/O, or I/O to memory. Either bytes or words can be transferred to or from even or odd addresses and two bus cycles are necessary (read from source and write to destination) for each data transfer.



14.1 DMA Operation

Every DMA transfer consists of two bus cycles (figure of Typical DMA Transfer) and the two bus cycles can not be separated by a bus hold request, a refresh request or another DMA request. The registers (CAh, C8h, C6h, C4h, C2h, C0h, DAh, D8h, D6h, D4h, D2h, D0h) are used to configure and operate the two DMA channels.



DMA Control Registers

Offset : CAh (DMA0)

Reset Value : FFF9h

15	14	13	12	11	10	9	8	7	6	5	4	3	2	1	0
DM/ \overline{IO}	DDEC	DINC	SM/ \overline{IO}	SDEC	SINC	TC	INT	SYN1	SYN0	P	TDRQ	Res	CHG	ST	\overline{B}/W

The definition of Bits 15-0 for DMA0 are same as the Bits 15-0 of register DAh for DMA1.

DMA Transfer Count Register

Offset : C8h (DMA0)

Reset Value : —

15	14	13	12	11	10	9	8	7	6	5	4	3	2	1	0
TC15 - TC0															

Bit 15-0: TC15-TC0, DMA 0 transfer Count. The value of this register is decremented by 1 after each transfer.

DMA Destination Address High Register

Offset : C6h (DMA0)

Reset Value : —

15	14	13	12	11	10	9	8	7	6	5	4	3	2	1	0
Reserved												DDA19 - DDA16			

Bit 15-4: Reserved

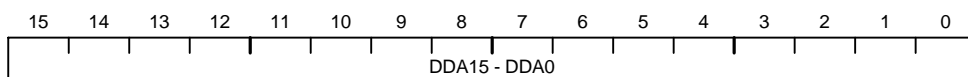
Bit 3-0: DDA19-DDA16, High DMA 0 Destination Address. These bits are mapped to A19- A16 during a DMA transfer when

the destination address is in memory space or I/O space. If the destination address is in I/O space (64Kbytes), these bits must be programmed to 0000b.

DMA Destination Address Low Register

Offset : C4h (DMA0)

Reset Value : —



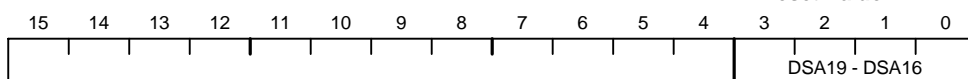
Bit 15-0: DDA15-DDA0, Low DMA 0 Destination Address. These bits are mapped to A15- A0 during a DMA transfer.

The value of (DDA19-DDA0)b will increment or decrement by 2 after each DMA transfer.

DMA Source Address High Register

Offset : C2h (DMA0)

Reset Value : —



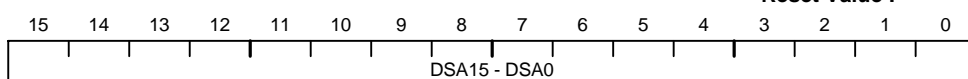
Bit 15-4: Reserved

Bit 3-0: DSA19-DSA16, High DMA 0 Source Address. These bits are mapped to A19- A16 during a DMA transfer when the source address is in memory space or I/O space. If the source address is in I/O space (64Kbytes), these bits must be programmed to 0000b.

DMA Source Address Low Register

Offset : C0h (DMA0)

Reset Value : —



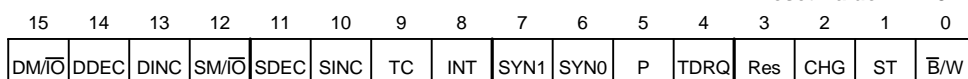
Bit 15-0: DSA15-DSA0, Low DMA 0 Source Address. These bits are mapped to A15- A0 during a DMA transfer.

The value of (DSA19-DSA0)b will increment or decrement by 2 after each DMA transfer.

DMA Control Registers

Offset : DAh (DMA1)

Reset Value : FFF9h



Bit 15: $\overline{DM}/\overline{IO}$, Destination Address Space Select.

Set 1: The destination address is in memory space.

Set 0: The destination address is in I/O space.

Bit 14: DDEC, Destination Decrement.

Set 1: The destination address is automatically decrement after each transfer.

The $\overline{B}/\overline{W}$ (bit 0) bit determines the decrement value which is by 1 or 2. When both DDEC and DINC bits are set to 1, the address remains constant.

Set 0 : Disable the decrement function.

Bit 13: DINC, Destination Increment.

Set 1: The destination address is automatically increment after each transfer.

The $\overline{B}/\overline{W}$ (bit 0) bit determines the increment value which is by 1 or 2.

Set 0 : Disable the decrement function.

Bit 12: $\overline{SM}/\overline{IO}$, Source Address Space Select.

Set 1: The Source address is in memory space.

Set 0: The Source address is in I/O space.

Bit 11: SDEC, Source Decrement.

Set 1: The Source address is automatically decremented after each transfer.

The $\overline{B}/\overline{W}$ (bit 0) bit determines the decrement value which is by 1 or 2. When both SDEC and SINC bits are set to 1, the address remains constant.

Set 0 : Disable the decrement function.

Bit 10: SINC, Source Increment.

Set 1: The Source address is automatically increment after each transfer.

The $\overline{B}/\overline{W}$ (bit 0) bit determines the increment value which is by 1 or 2.

Set 0 : Disable the decrement function.

Bit 9 : TC, Terminal Count.

Set 1: The synchronized DMA transfer is terminated when the DMA transfer count register reaches 0.

Set 0: The synchronized DMA transfer is terminated when the DMA transfer count register reaches 0.

Unsynchronized DMA transfer is always terminated when the DMA transfer count register reaches 0, regardless the setting of this bit.

Bit 8 : INT, Interrupt.

Set 1: DMA unit generates an interrupt request when complete the transfer count .

The TC bit must set to 1 to generate an interrupt.

Bit 7-6: SYN1-SYN0, Synchronization Type Selection.

<u>SYN1</u> , <u>SYN0</u>	--	<u>Synchronization Type</u>
0 , 0	--	Unsynchronized
0 , 1	--	Source synchronized

1 , 0 -- Destination synchronized

1 , 1 -- Reserved

Bit 5: P, Priority.

Set 1: It selects high priority for this channel when both DMA 0 and DMA 1 are transferred in the same time.

Bit 4: TDRQ, Timer Enable/Disable Request

Set 1: Enable the DMA requests from timer 2.

Set 0: Disable the DMA requests from timer 2.

Bit 3: Reserved

Bit 2: CHG, Changed Start Bit. This bit must set to 1 when modify the ST bit.

Bit 1: ST, Start/Stop DMA channel.

Set 1: Start the DMA channel

Set 0: Stop the DMA channel

Bit 0 : \bar{B}/W , Byte/Word Select.

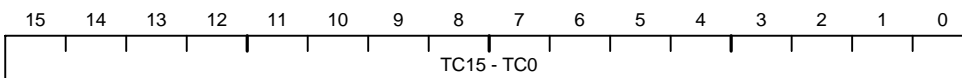
Set 1: The address is incremented or decremented by 2 after each transfer.

Set 0 :The address is incremented or decremented by 1 after each transfer.

DMA Transfer Count Register

Offset : D8h (DMA1)

Reset Value : —

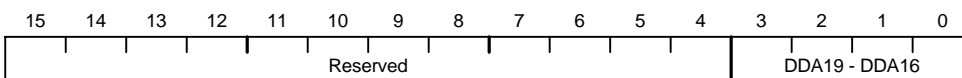


Bit 15-0: TC15-TC0, DMA 1 transfer Count. The value of this register is decremented by 1 after each transfer.

DMA Destination Address High Register

Offset : D6h (DMA1)

Reset Value : —



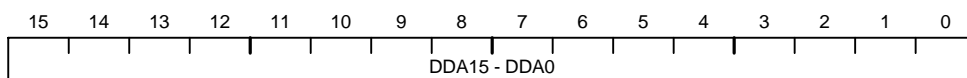
Bit 15-4: Reserved

Bit 3-0: DDA19-DDA16, High DMA 1 Destination Address. These bits are mapped to A19- A16 during a DMA transfer when the destination address is in memory space or I/O space. If the destination address is in I/O space (64Kbytes), these bits must be programmed to 0000b.

DMA Destination Address Low Register

Offset : D4h (DMA1)

Reset Value : —

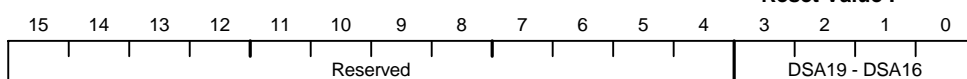


Bit 15-0: DDA15-DDA0, Low DMA 1 Destination Address. These bits are mapped to A15- A0 during a DMA transfer. The value of (DDA19-DDA0)b will increment or decrement by 2 after each DMA transfer.

DMA Source Address High Register

Offset : D2h (DMA1)

Reset Value : —



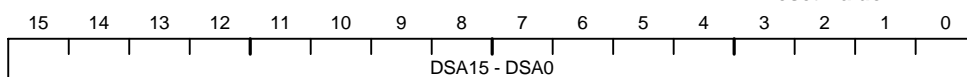
Bit 15-4: Reserved

Bit 3-0: DSA19-DSA16, High DMA 1 Source Address. These bits are mapped to A19- A16 during a DMA transfer when the source address is in memory space or I/O space. If the source address is in I/O space (64Kbytes), these bits must be programmed to 0000b.

DMA Source Address Low Register

Offset : D0h (DMA1)

Reset Value : —

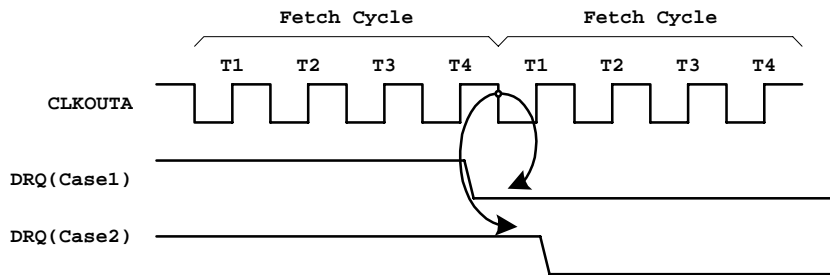


Bit 15-0: DSA15-DSA0, Low DMA 1 Source Address. These bits are mapped to A15- A0 during a DMA transfer. The value of (DSA19-DSA0)b will increment or decrement by 2 after each DMA transfer.

14.2 External Requests

External DMA requests are asserted on the DRQ pins. The DRQ pins are sampled on the falling edge of CLKOUTA. It takes a minimum of four clocks before the DMA cycle is initiated by the Bus Interface. The DMA request is cleared four clocks before the end of the DMA cycle. And no DMA acknowledge is provided, since the chip-selects (MCSx, PCSx) can be programmed to be active for a given block of memory or I/O space, and the DMA source and destination address registers can be programmed to point to the same given block.

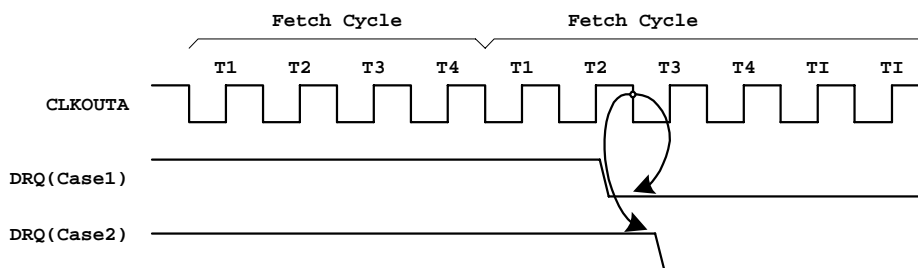
DMA transfer can be either source or destination synchronized, and it can also be unsynchronized. The Source-Synchronized Transfer figure shows the typical source-synchronized transfer which provides the source device at least three clock cycles from the time it is acknowledged to deassert its DRQ line.



- NOTES:**
Case1 : Current source synchronized transfer will not be immediately followed by another DMA transfer.
Case2 : Current source synchronized transfer will be immediately followed by another DMA transfer.

Source-Synchronized Transfers

The Destination-Synchronized Transfer figure shows the typical destination-synchronized transfer which differs from a source-synchronized transfer in which two idle states are added to the end of the deposit cycle. The two idle states extend the DMA cycle to allow the destination device to deassert its DRQ pin four clocks before the end of the cycle. If the two idle states were not inserted, the destination device would not have time to deassert its DRQ signal.



- NETES:**
Case1 : Current destination synchronized transfer will not be immediately followed by another DMA transfer.
Case2 : Current destination synchronized transfer will be immediately followed by another DMA transfer.

Destination-Synchronized Transfers

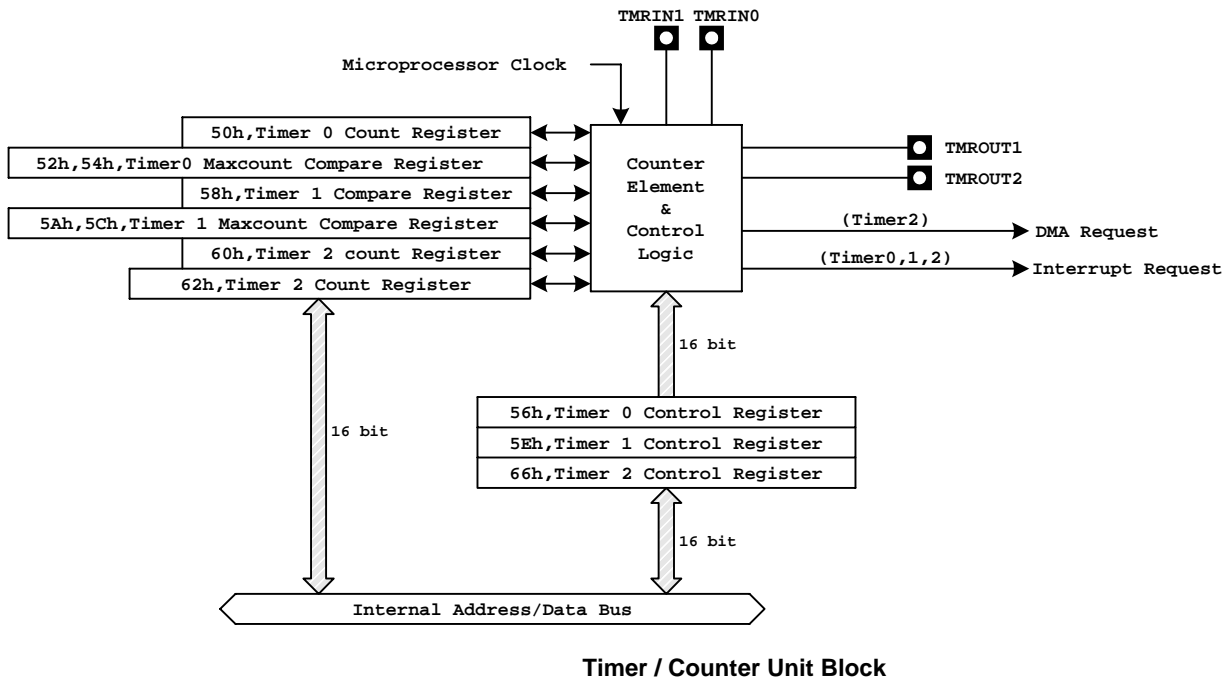
14.3 Serial Port/DMA Transfer

The serial port data can be DMA transferred to or from memory(or IO) space. And the \overline{B}/W bit of DMA control Register must be set 1 for byte transfer. The map address of Transmit Data Register is written to the DMA Destination Address Register and the memory (or I/O) address is written to the DMA Source Address Register, when transmit data. The map address of Receive Data Register is written to the DMA Source Address Register and the memory (or I/O) address is written to the DMA Destination Address Register, when receive data.

The software is programmed through the Serial Port Control Register to perform the serial port/ DMA transfer.

When a DMA channel is in use by a serial port, the corresponding external DMA request signal is deactivated. For DMA to the serial port, the DMA channel should be configured as destination synchronized. For DMA from the serial port, the DMA channel should be configured as source synchronized.

15. Timer Control Unit



There are three 16-bit programmable timers in the R1120. The timer operation is independent of the CPU. The three timers can be programmed as a timer element or as a counter element. Timers 0 and 1 are each connected to two external pins (TMRIN0, TMROUT0, TMRIN1, TMROUT1) which can be used to count or time external events, or they can be used to generate a variable-duty-cycle waveforms. Timer 2 is not connected any external pins. It can be used as a prescale to timer 0 and timer 1 or as a DMA request source.

Timer 0 Mode / Control Register

Offset : 56h
Reset Value : 0000h

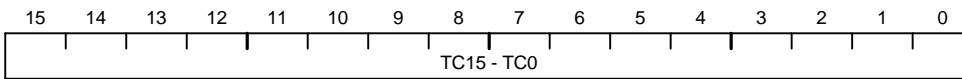
15	14	13	12	11	10	9	8	7	6	5	4	3	2	1	0
EN	INH	INT	RIU	0	0	0	0	0	0	MC	RTG	P	EXT	ALT	CONT

These bits definition for timer 0 are same as the bits of register 5Eh for timer 1.

Timer 0 Count Register

Offset : 50h

Reset Value : —



Bit 15 – 0: TC15-TC0, Timer 0 Count Value. This register contains the current count of timer 0. The count is incremented by

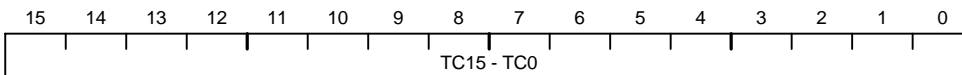
one of each four internal processor clocks or by prescaled the timer 2, or by one of each four external clock which is

configured the external clock select bit to refer to the TMRIN1 signal.

Timer 0 Maxcount Compare A Register

Offset : 52h

Reset Value : —

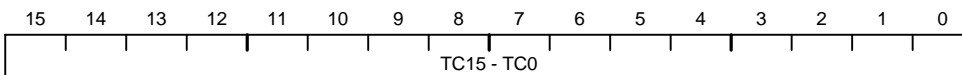


Bit 15-0 : TC15 – TC0, Timer 0 Compare A Value.

Timer 0 Maxcount Compare B Register

Offset : 54h

Reset Value : —

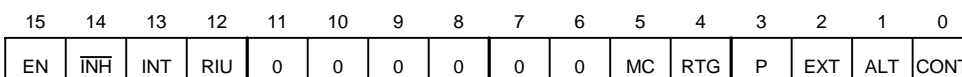


Bit 15-0 : TC15 – TC0, Timer 0 Compare B Value.

Timer 1 Mode / Control Register

Offset : 5Eh

Reset Value : 0000h



Bit 15: EN, Enable Bit.

Set 1: The timer 1 is enable.

Set 0: The timer 1 is inhibited from counting.

The $\overline{\text{INH}}$ bit must be set 1 during writing the EN bit, and the $\overline{\text{INH}}$ bit and EN bit must be in the same write.

Bit 14: $\overline{\text{INH}}$, Inhibit Bit. This bit allows selective updating the EN bit. The $\overline{\text{INH}}$ bit must be set 1 during writing the EN

bit, and both the $\overline{\text{INH}}$ bit and EN bit must be in the same write. This bit is not stored and is always read as 0.

Bit 13: INT, Interrupt Bit.

Set 1: A interrupt request is generated when the count register equals a maximum count. If the timer is configured in

dual max-count mode, an interrupt is generated each time the count reaches max-count A or max-count B

Set 0: Timer 1 will not issue interrupt request.

Bit 12: RIU, Register in Use Bit.

Set 1: The Maxcount Compare B register of timer 1 is being used

Set 0: The Maxcount Compare A register of timer 1 is being used

Bit 11-6 : Reserved.

Bit 5: MC, Maximum Count Bit. When the timer reaches its maximum count, the MC bit will set to 1 by H/W. In dual

maxcount mode, this bit is set each time either Maxcount Compare A or Maxcount Compare B register is reached. This

bit is set regardless of the EN bit (66h.15).

Bit 4: RTG, Re-trigger Bit. This bit defines the control function by the input signal of TMRIN1 pin.

When EXT=1 (5Eh.2),

this bit is ignored.

Set 1: Timer1 Count Register (58h) counts internal events; Reset the counting on every TMRIN1 input signal from low

go high (rising edge trigger).

Set 0: Low input holds the timer 1 Count Register (58h) value; High input enables the counting which counts internal

events.

The definition of setting the (EXT , RTG)

(0 , 0) – Timer1 counts the internal events. if the TMRIN1 pin remains high.

(0 , 1) -- Timer1 counts the internal events; count register reset on every rising transition on the TMRIN1 pin

(1 , x) -- TMRIN1 pin input acts as clock source and timer1 count register increase one every four external clock.

Bit 3: P, Prescaler Bit. This bit and EXT(5Eh.2) define the timer 1 clock source.

The definition of setting the (EXT , P)

(0 , 0) – Timer1 Count Register increase one of each four internal processor clock.

(0 , 1) – Timer1 count register increase one which prescal by timer 2.

(1 , x) -- TMRIN1 pin input acts as clock source and Timer1 Count Register increase one of each four external clock.

Bit 2: EXT, External Clock Bit.

Set 1: Timer 1 clock source from external

Set 0: Timer 1 clock source from internal

Bit 1 : ALT, Alternate Compare Bit. This bit controls whether the timer runs in single or dual maximum count mode.

Set 1: Specify dual maximum count mode. In this mode the timer counts to Maxcount Compare A, then resets the

count register to 0. Then the timer counts to Maxcount Compare B, then resets the count register to 0 again,

and starts over with Maxcount Compare A.

Set 0: Specify single maximum count mode. In this mode the timer will count to the value contained in Maxcount

Compare A and reset to 0, and then the timer counts to Maxcount Compare A again. Maxcount Compare B is

not used in this mode.

Bit 0: CONT, Continuous Mode Bit.

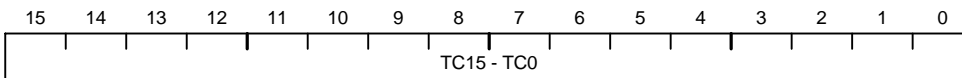
Set 1: The timer runs continuously.

Set 0: The timer will halt after each counting to the maximum count and the EN bit will be cleared.

Timer 1 Count Register

Offset : 58h

Reset Value : —



Bit 15 – 0: TC15-TC0, Timer 1 Count Value. This register contains the current count of timer 1. The count is incremented by

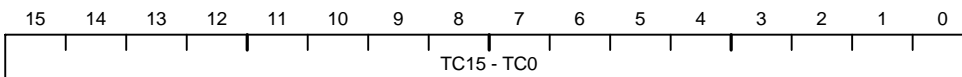
one of each four internal processor clocks or by prescaling the timer 2, or by one of each four external clock which is

configured the external clock select bit to refer to the TMRIN1 signal.

Timer 1 Maxcount Compare A Register

Offset : 5Ah

Reset Value : —

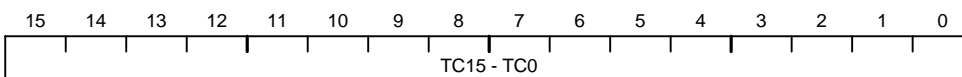


3Bit 15-0 : TC15 – TC0, Timer 1 Compare A Value.

Timer 1 Maxcount Compare B Register

Offset : 5Ch

Reset Value : —

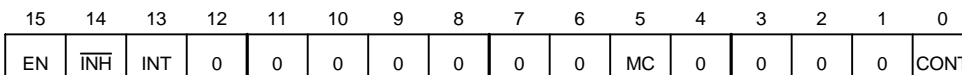


Bit 15-0 : TC15 – TC0, Timer 1 Compare B Value.

Timer 2 Mode / Control Register

Offset : 66h

Reset Value : 0000h



Bit 15: EN, Enable Bit.

Set 1: The timer 2 is enable.

Set 0: The timer 2 is inhibited from counting.

The $\overline{\text{INH}}$ bit must be set 1 during writing the EN bit, and the $\overline{\text{INH}}$ bit and EN bit must be in the same write.

Bit 14: $\overline{\text{INH}}$, Inhibit Bit. This bit is allowed selective updating the EN bit. The $\overline{\text{INH}}$ bit must be set 1 during writing the EN

bit, and both the $\overline{\text{INH}}$ bit and EN bit must be in the same write. This bit is not stored and is always read as 0.

Bit 13: INT, Interrupt Bit.

Set 1: An interrupt request is generated when the count register equals a maximum count.

Set 0: Timer 2 will not issue interrupt request.

Bit 12-6 : Reserved.

Bit 5: MC, Maximum Count Bit. When the timer reaches its maximum count, the MC bit will set to 1 by H/W. This bit is set

regardless of the EN bit (66h.15).

Bit 4-1: Reserved.

Bit 0: COUNT, Continuous Mode Bit.

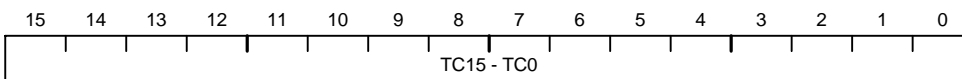
Set 1: Timer is continuously running when timer reaches the maximum count.

Set 0: The EN bit (66h.15) is cleared and the timer is held after each timer count reaches the maximum count.

Timer 2 Count Register

Offset : 60h

Reset Value : —



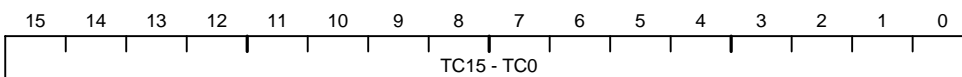
Bit 15 – 0: TC15-TC0, Timer 2 Count Value. This register contains the current count of timer 2. The count is incremented by

one of each four internal processor clocks.

Timer 2 Maxcount Compare A Register

Offset : 62h

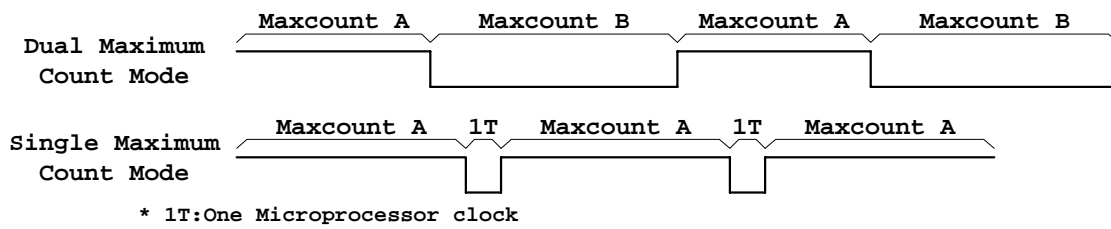
Reset Value : —



Bit 15-0 : TC15 – TC0, Timer 2 Compare A Value.

15.1 Timer/Counter Unit Output Mode

Timers 0 and 1 can use one maximum count value or two maximum count values. Timer 2 can use only one maximum count value. Timer 0 and timer1 can be configured to single or dual Maximum Compare count modes, the TMROUT0 or TMROUT1 signals can be used to generat waveform of various duty cycle.



Timer/Counter Unit Output Modes

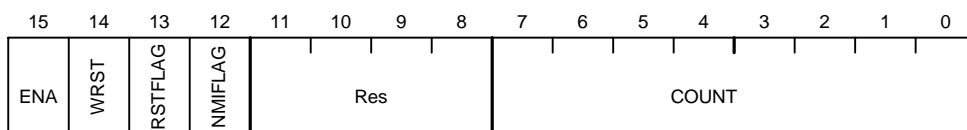
16. Watchdog Timer

R1120 has one independent watchdog timer, which is programmable. **The watchdog timer is active after reset** and the timeout count with a maximum count value. The keyed sequence (3333h, CCCCh) must be written to the register (E6h) first then writing new configuration to the Watchdog Timer Control Register. It is a single write so every writing to Watchdog Timer Control Register must follow the rule.

To read the Watchdog Timer Control Register, the keyed sequence (5555h, AAAAh) must be written to the register (E6h) first. The current count should be reset before modifying the Watchdog Timer timeout period to ensure that an immediate timeout does not occur.

Watchdog Timer Control Register

Offset : E6h
Reset Value : C080h



Bit 15: ENA, Enable Watchdog Timer.

Set 1 : Enable Watchdog Timer.

Set 0 : Disable Watchdog Timer.

Bit 14: WRST, Watchdog Reset.

Set 1: WDT generates a system reset when WDT timeout count is reached.

Set 0 : WDT generates a NMI interrupt when WDT timeout count is reached if the NMIFLAG bit is 0. If the NMIFLAG bit is 1, the WDT will generate a system reset when timeout.

Bit 13: RSTFLAG, Reset Flag. When watchdog timer reset event has occurred, hardware will set this bit to 1. This bit will be cleared by any keyed sequence write to this register or external reset. This bit is 0 after an external reset or 1 after watchdog timer reset.

Bit 12: NMIFLAG, NMI Flag. After WDT generates a NMI interrupt, this bit will be set to 1 by H/W. This bit will be cleared by any keyed sequence write to this register.

Bit 11-8 : Reserved.

Bit 7-0 : COUNT, Timeout Count. The COUNT setting determines the duration of the watchdog timer timeout interval.

a. The duration equation : **Duration** = 2^{Exponent} / **Frequency**

b. The Exponent of the COUNT setting:

(Bit 7, Bit 6, Bit 5, Bit 4, Bit 3, Bit 2, Bit 1, Bit 0) = (Exponent)

(0 , 0 , 0 , 0 , 0 , 0 , 0 , 0) = (N/A)

(x , x , x , x , x , x , x , x) = (10)

(x , x , x , x , x , x , 1 , 0) = (20)

(x , x , x , x , x , 1 , 0 , 0) = (21)

$$(x, x, x, x, 1, 0, 0, 0) = (22)$$

$$(x, x, x, 1, 0, 0, 0, 0) = (23)$$

$$(x, x, 1, 0, 0, 0, 0, 0) = (24)$$

$$(x, 1, 0, 0, 0, 0, 0, 0) = (25)$$

$$(1, 0, 0, 0, 0, 0, 0, 0) = (26)$$

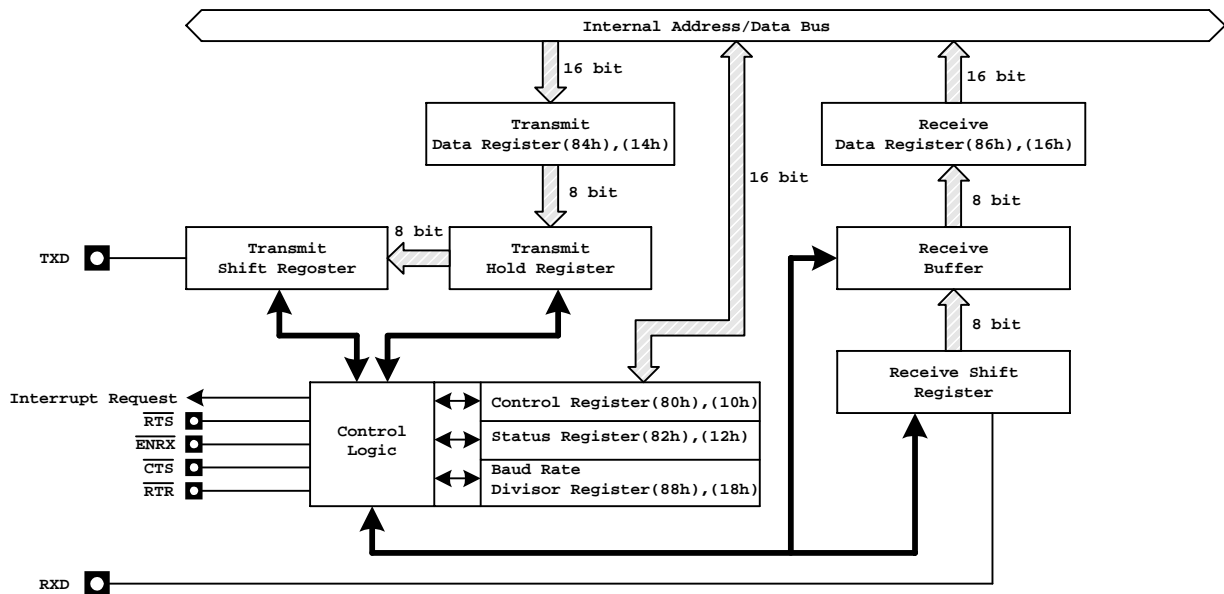
c. Watchdog timer Duration reference table:

Frequency\Exponent	10	20	21	22	23	24	25	26
20 MHz	51 us	52 ms	104 ms	209 ms	419 ms	838 ms	1.67 s	3.35 s
25 MHz	40 us	41 ms	83 ms	167 ms	335 ms	671 ms	1.34 s	2.68 s
33 MHz	30 us	31 ms	62 ms	125 ms	251 ms	503 ms	1.00 s	2.01 s
40 MHz	25 us	26 ms	52 ms	104 ms	209 ms	419 ms	838 ms	1.67 s
50 MHz	20.5 us	21 ms	41.9 ms	83.9ms	167.8 ms	335.5 ms	671 ms	1.34 s

17. Asynchronous Serial Port

R1120 has two asynchronous serial ports, which provide the TXD, RXD pins for the full duplex bi-directional data transfer and with handshaking signals \overline{CTS} , \overline{ENRX} , \overline{RTS} , \overline{RTR} . The serial ports support : 9-bit, 8-bit or 7-bit data transfer; odd parity, even parity, or no parity; 1 stop bits; Error detection; DMA transfers through the serial port; Multi-drop protocol (9-bit) support; Double buffers for transmit and receive.

The receive/transmit clock is based on the microprocessor clock. The serial port can be used in power-saved mode, but the transfer rate must be adjusted to correctly reflect the new internal operating frequency. Software is programmed through the registers ,(80h, 82h, 84h, 86h, 88h – for port 0), (10h,12h,14h,16h,18h – for port 1) to configure the asynchronous serial port.



Serial Port Block Diagram

17.1 Serial Port Flow Control

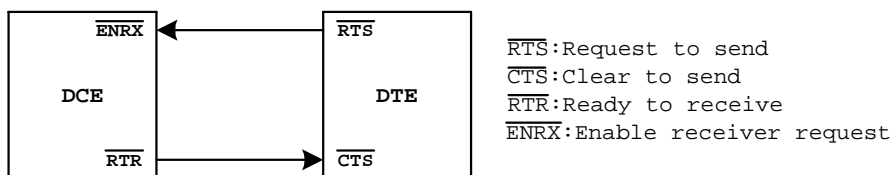
The two serial ports are provided with two data pins (RXD and TXD) and two flow control signals (\overline{RTS} , \overline{RTR}). Hardware flow control is enabled when the FC bit in the Serial Port control Register is set. And the flow control signals are configured by software to support several different protocols.

17.1.1 DCE/DTE Protocol

The R1120 can be a DCE (Data Communication Equipment) or DTE (Data Terminal Equipment). This protocol provides flow control where one serial port is receiving data and other serial port is sending data. To implement the DCE device, the ENRX bit should be set and the RTS bit should be cleared for the associated serial port. To implement the DTE device, the ENRX bit should be cleared and the RTS bit should be set for the associated serial port. The ENRX bit and RTS bit are in the register F2h.

The DCE/DTE protocol is asymmetric interface since the DTE device can not signal the DCE device that is ready to receive

data, and the DCE can not send the request to send signal.



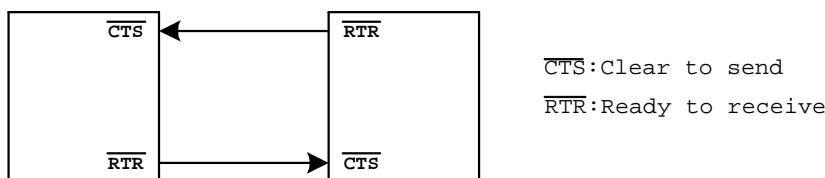
DCE/DTE Protocol Connection

The DCE/DTE protocol communication step:

- a. DTE send data to DCE
- b. $\overline{\text{RTS}}$ signal is asserted by DTE when data is available.
- c. The $\overline{\text{RTS}}$ signal is interpreted by the DCE device as a request to enable its receiver.
- d. The DCE asserts the $\overline{\text{RTR}}$ signal to response that DCE is ready to receive data.

17.1.2 CTS/RTR Protocol

The serial port can be programmed as a CTS/RTS protocol by clearing both ENRX bit and RTS bit. This protocol is a symmetric interface, which provides flow control when both ports are sending and receiving data.



CTS/RTR Protocol Connection

17.2 DMA Transfer to/from a serial port function

DMA transfers to the serial port function as destination-synchronized DMA transfers. A new transfer is requested when the Transmit Holding Register is empty. When the port is configured for DMA transmits, the corresponding transmit interrupt is disabled regardless of the TXIE bit setting.

DMA transfers from the serial port function as source-synchronized DMA transfers. A new transfer is requested when the Receive Buffer contains valid data. When the port is configured for DMA receives, the corresponding receive interrupt is disabled regardless of the RXIE bit setting.

The DMA request is generated internally when a DMA channel is being used for serial port transfers. And the DRQ0 or DRQ1 are not active when a serial port DMA transfers.

Hardware handshaking may be used in conjunction with serial port DMA transfers.

17.3 The Asynchronous Modes description

There are 4 modes operations in the asynchronous serial port.

Mode1: Mode 1 is the 8-bit asynchronous communications mode. Each frame consists of a start bit, eight data bits and a stop bit. When parity is used, the eighth data bit becomes the parity bit.

Mode 2: Mode 2 is used together with Mode 3 for multiprocessor communications over a common serial link. In mode 2, the RX machine will not complete a reception unless the ninth data bit is a one. Any character received with the ninth bit equal to zero is ignored. No flags are set, no interrupts occur and no data is transferred to Receive Data Register. In mode 3, characters are received regardless of the state of the ninth data bit.

Mode 3: Mode 3 is the 9-bit asynchronous communications mode. Mode 3 is the same as mode 1 except that a frame contains nine data bits. The ninth data bit becomes the parity bit when the parity feature is enabled.

Mode 4: Mode 4 is the 7-bit asynchronous communications mode. Each frame consists of a start bit, seven data bits and a stop bit. Parity bit is not available in mode 4.

Serial Port 0 Contrl Register

Offset : 80h
Reset Value : 0000h

15	14	13	12	11	10	9	8	7	6	5	4	3	2	1	0
DMA			RISE	BRK	TB8	FC	TXIE	RXIE	TMODE	RMDD	EVN	PE	MODE		

Bit 15-13: DMA, DMA Control Field. These bits configure the serial port for use with DMA transfers.

DMA control bits

(Bit 15, bit 14, bit 13)b	---	<u>Receive</u>	---	<u>Transmit</u>
(0, 0, 0)	---	No DMA	---	No DMA
(0, 0, 1)	---	DMA 0	---	DMA 1
(0, 1, 0)	---	DMA 1	---	DMA 0
(0, 1, 1)	---	N/A	---	N/A
(1, 0, 0)	---	DMA 0	---	No DMA
(1, 0, 1)	---	DMA 1	---	No DMA
(1, 1, 0)	---	No DMA	---	DMA 0
(1, 1, 1)	---	No DMA	---	DMA 1

Bit 12: RSIE, Receive Status Interrupt Enable. An exception occurs during data reception or error detection occur will generate an interrupt.

Set 1: Enable the serial port 0 to generate an interrupt request.

Bit 11: BRK, Send Break.

Set this bit to 1 , the TXD pin always drives low.

Long Break : The TXD is driven low for grater than (2M+3) bit times;

Short break : The TXD is driven low for grater than M bit times;

* M= start bit + data bits number + parity bit + stop bit

Bit 10 : TB8, Transmit Bit 8. This bit is transmitted as ninth data bit in mode 2 and mode 3. This bit is cleared after every transmission.

Bit 9: FC, Flow Control Enable.

Set 1: Enable the hardware flow control for serial port 0.

Set 0 : Disable the hardware flow control for serial port 0.

Bit 8 : TXIE, Transmitter Ready Interrupt Enable. When the Transmit Holding Register is empty (THRE bit in Status Register is set),it will have an interrupt occurs.

Set 1: Enable the Interrupt.

Set 0 : Disable the interrupt.

Bit 7: RXIE, Receive Data Ready Interrupt Enable. When the receiver buffer contains valid data (RDR bit in Status Register is set) , it will generate an interrupt.

Set 1: Enable the Interrupt.

Set 0 : Disable the interrupt.

Bit 6 : TMODE, Transmit Mode.

Set 1: Enable the TX machines.

Set 0: Disable the TX machines.

Bit 5: RMODE, Received Mode.

Set 1: Enable the RX machines.

Set 0: Disable the RX machines.

Bit 4: EVN, Even Parity. This bit is valid only when the PE bit is set.

Set 1: the even parity checking is enforced (even number of 1s in frame).

Set 0: odd parity checking is enforced (odd number of 1s in frame).

Bit 3: PE, Parity Enable.

Set 1 : Enable the parity checking.

Set 0 : Disable the parity checking.

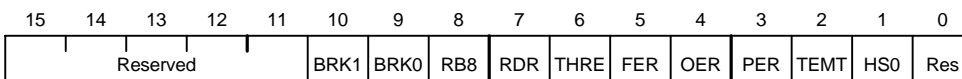
Bit 2-0: MODE, Mode of Operation.

(bit 2, bit 1, bit 0)	MODE	Data Bits	Parity Bits	Stop Bits
(0 , 0 , 1)	Mode 1	7 or 8	1 or 0	1
(0 , 1 , 0)	Mode 2	9	N/A	1
(0 , 1 , 1)	Mode 3	8 or 9	1 or 0	1
(1 , 0 , 0)	Mode 4	7	N/A	1

Serial Port 0 Status Register

Offset : 82h

Reset Value : —



The Serial Port 0 Status Register provides information about the current status of the serial port 0.

Bit 15-11: Reserved.

Bit 10: BRK1, Long Break Detected. This bit should be reset by software.

When a long break is detected, this bit will be set high.

Bit 9 : BRK0, Short Break Detected. This bit should be reset by software.

When a short break is detected, this bit will be set high

Bit 8: RB8,Received Bit 8. This bit should be reset by software.

This bit contains the ninth data bit received in mode 2 and mode 3.

Bit 7: RDR, Received Data Ready. Read only.

The Received Data Register contains valid data, this bit is set high. This bit can only be reset by reading the Serial Port 0 Receive Register.

Bit 6: THRE, Transmit Hold Register Empty. Read only.

When the Transmit Hold Register is ready to accept data, this bit will be set. This bit will be reset when writing data to the Transmit Hold Register.

Bit 5: FER, Framing Error detected. This bit should be reset by software.

This bit is set when a framing error is detected.

Bit 4: OER, Overrun Error Detected. This bit should be reset by software.

This bit is set when an overrun error is detected.

Bit 3: PER, Parity Error Detected. This bit should be reset by software.

This bit is set when a parity error (for mode 1 and mode 3) is detected.

Bit 2: TEMT, Transmitter Empty. This bit is read only.

When the Transmit Shift Register is empty, this bit will be set.

Bit 1: HS0, Handshake Signal 0. This bit is read only.

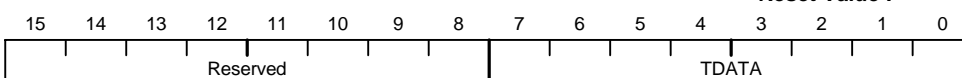
This bit reflects the inverted value of the external $\overline{\text{CTS0}}$ pin.

Bit 0 : Reserved.

Serial Port 0 Transmit Register

Offset : 84h

Reset Value : —



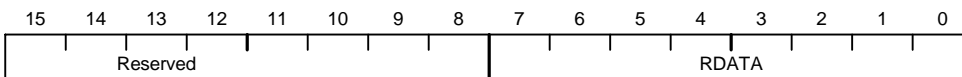
Bit 15-8: Reserved

Bit 7-0 : TDATA, Transmit Data. Software writes this register with data to be transmitted on the serial port 0.

Serial Port 0 Receive Register

Offset : 86h

Reset Value : —



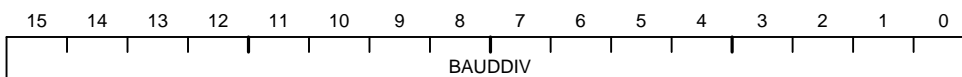
Bit 15-8: Reserved

Bit 7-0: RDATA, Received DATA. The RDR bit should be read as 1 before read the RDATA register to avoid reading invalid data.

Serial Port 0 Baud Rate Divisor Register

Offset : 88h

Reset Value : 0000h



Bit 15-0: BAUDDIV, Baud Rate Divisor.

The general formula for baud rate divisor is **Baud Rate = Microprocessor Clock / (16 x BAUDDIV)**

For example, The Microprocessor clock is 22.1184MHz and the BAUDDIV=12 (Decimal), the baud rate of serial port is 115.2k.

Serial Port 1 Contrl Register

Offset : 10h

Reset Value : 0000h

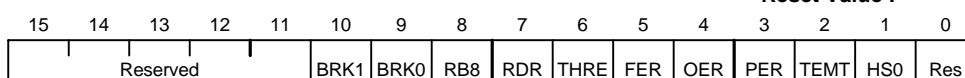


These bits definition are same as the bits definition of Register 80h

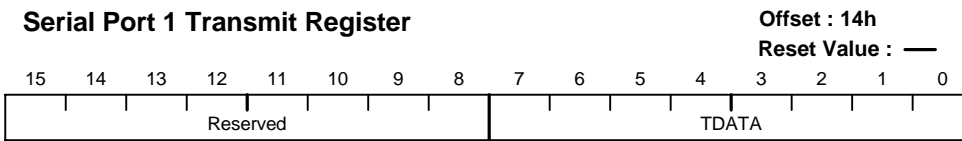
Serial Port 1 Status Register

Offset : 12h

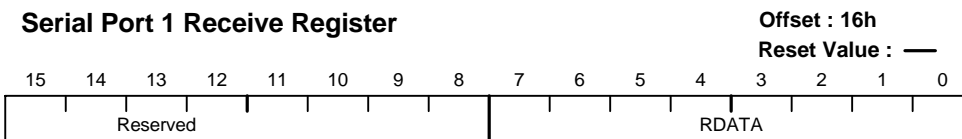
Reset Value : —



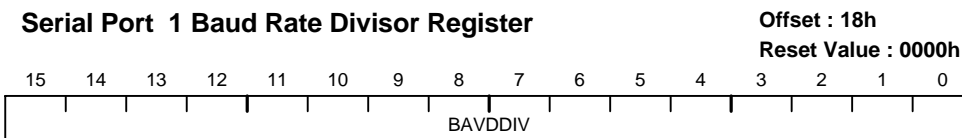
These bits definition are same as the bits definition of Register 82h



These bits definition are same as the bits definition of Register 84h



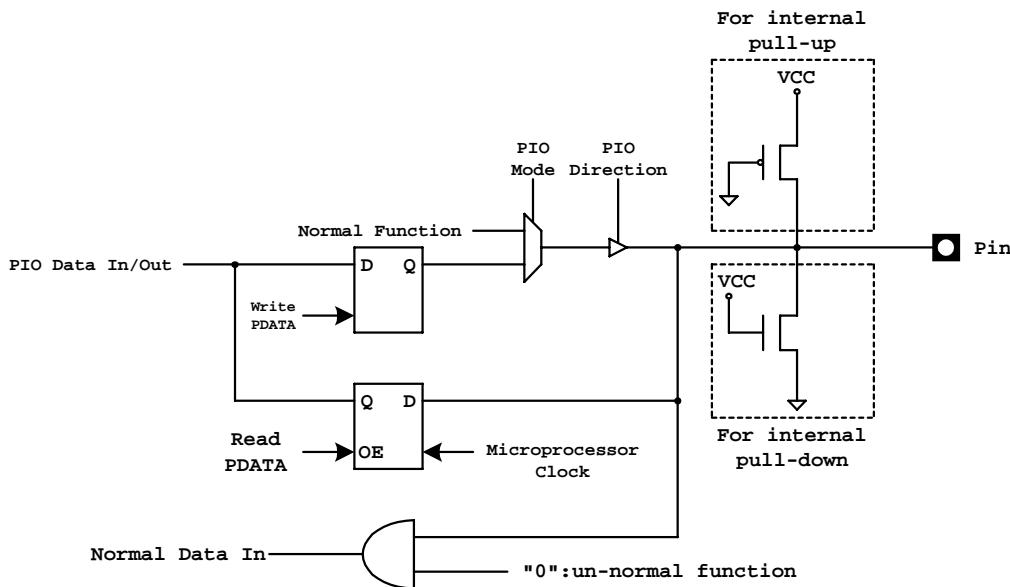
These bits definition are same as the bits definition of Register 86h



These bits definition are same as the bits definition of Register 88h

18. PIO Unit

R1120 provides 32 programmable I/O signals, which are multi-function pins with other normal function signals. Software is programmed through the registers (7Ah, 78h, 76h, 74h, 72h, 70h) to configure the multi-function pins for PIO or normal function.



PIO pin Operation Diagram

18.1 PIO multi-function Pin list table

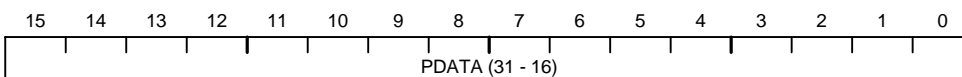
PIO No.	Pin No.	Multi Function	Reset status/PIO internal resister
0	72	TMRIN1	Input with 10k pull-up
1	73	TMROUT1	Input with 10k pull-down
2	59	PCS6 /A2	Input with 10k pull-up
3	60	PCS5 /A1	Input with 10k pull-up
4	48	DT/ \bar{R}	Normal operation/ Input with 10k pull-up
5	49	\bar{DEN}	Normal operation/ Input with 10k pull-up
6	46	SRDY	Normal operation/ Input with 10k pull-down
7	22	A17	Normal operation/ Input with 10k pull-up
8	20	A18	Normal operation/ Input with 10k pull-up
9	19	A19	Normal operation/ Input with 10k pull-up
10	74	TMROUT0	Input with 10k pull-down
11	75	TMRIN0	Input with 10k pull-up
12	77	DRQ0/INT5	Input with 10k pull-up
13	76	DRQ1/INT6	Input with 10k pull-up
14	50	$\bar{MCS0}$	Input with 10k pull-up
15	51	$\bar{MCS1}$	Input with 10k pull-up
16	66	$\bar{PCS0}$	Input with 10k pull-up
17	65	$\bar{PCS1}$	Input with 10k pull-up

18	63	$\overline{\text{PCS2}} / \overline{\text{CTS1}} / \overline{\text{ENRX1}}$	Input with 10k pull-up
19	62	$\overline{\text{PCS3}} / \overline{\text{RTS1}} / \overline{\text{RTR1}}$	Input with 10k pull-up
20	3	$\overline{\text{RTS0}} / \overline{\text{RTR0}}$	Input with 10k pull-up
21	100	$\overline{\text{CTS0}} / \overline{\text{ENRX0}}$	Input with 10k pull-up
22	2	TXD0	Input with 10k pull-down
23	1	RXD0	Input with 10k pull-down
24	68	$\overline{\text{MCS2}}$	Input with 10k pull-up
25	69	$\overline{\text{MCS3}} / \overline{\text{RFSH}}$	Input with 10k pull-up
26	97	$\overline{\text{UZI}}$	Input with 10k pull-up
27	98	TXD1	Input with 10k pull-up
28	99	RXD1	Input with 10k pull-up
29	96	S6/CLKDIV	Input with 10k pull-up
30	52	INT4	Input with 10k pull-up
31	54	INT2	Input with 10k pull-up

PIO Data 1 Register

Offset : 7Ah

Reset Value : —



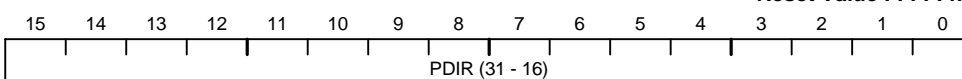
Bit 15- 0 : PDATA31-PDATA16, PIO Data Bits.

These bits PDATA31- PDATA16 map to the PIO31 –PIO16 which indicates the driven level when the PIO pin as an output or reflects the external level when the PIO pin as an input .

PIO Direction 1 Register

Offset : 78h

Reset Value : FFFFh



Bit 15-0 : PDIR 31- PDIR16, PIO Direction Register.

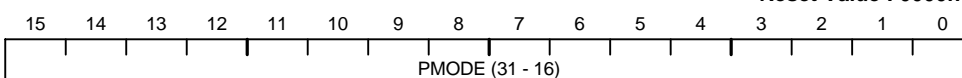
Set 1: Configure the PIO pin as an input.

Set 0: Configure the PIO pin as an output or as normal pin function.

PIO Mode 1 Register

Offset : 76h

Reset Value : 0000h



Bit 15-0: PMODE31-PMODE16, PIO Mode Bit.

The definition of PIO pins are configured by the combination of PIO Mode and PIO Direction. And the PIO pin is programmed individual.

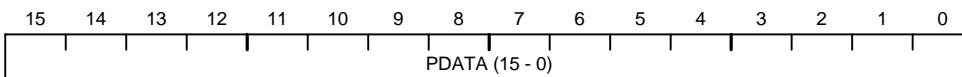
The definition (PIO Mode, PIO Direction) for PIO pin function:

- (0 , 0) – Normal operation , (0 , 1) – PIO input with pull-up/pull-down
- (1 , 0) – PIO output , (1 , 1) -- PIO input without pull-up/pull-down

PIO Data 0 Register

Offset : 74h

Reset Value : —



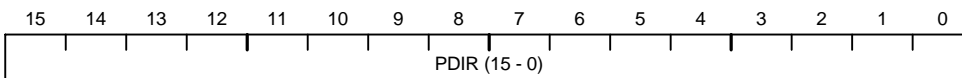
Bit 15-0 : PDATA15- PDATA0 : PIO Data Bus.

These bits PDATA15- PDATA0 map to the PIO15 –PIO0 which indicates the driven level when the PIO pin is as an output or reflects the external level when the PIO pin is as an input.

PIO Direction 0 Register

Offset : 72h

Reset Value : FFFFh



Bit 15-0 : PDIR 15- PDIR0, PIO Direction Register.

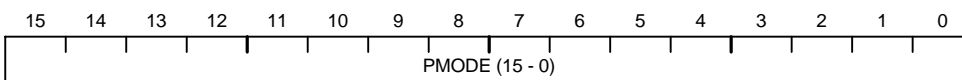
Set 1: Configure the PIO pin as an input.

Set 0: Configure the PIO pin as an output or as normal pin function.

PIO Mode 0 Register

Offset : 70h

Reset Value : 0000h



Bit 15-0: PMODE15-PMODE0, PIO Mode Bit.

19. PSRAM Control Unit

The PSRAM interface is provided by the R1120 and the refresh control unit automatically generates refresh bus cycles. The refresh control unit uses the internal microprocessor clock as an operating source clock. If the power-saved mode is enabled, the refresh control unit must be programmed to reflect the new clock rate. Software programs the registers (E0, E2, E4) to control the refresh control unit operation.

Memory Partition Register

Offset : E0h
Reset Value : 0000h

15	14	13	12	11	10	9	8	7	6	5	4	3	2	1	0
M6 - M0							0	0	0	0	0	0	0	0	0

Bit 15-9: M6-M0, Refresh Base. M6-M0 map to A19-A13 of the 20-bit memory refresh address.

Bit 8-0 : Reserved.

Clock Prescaler Register

Offset : E2h
Reset Value : —

15	14	13	12	11	10	9	8	7	6	5	4	3	2	1	0
0	0	0	0	0	0	0	RC8 - RC0								

Bit 15-9 : Reserved

Bit 8-0: RC8-RC0, Refresh Counter Reload Value.

Enable RCU Register

Offset : E4h
Reset Value : 0000h

15	14	13	12	11	10	9	8	7	6	5	4	3	2	1	0
E	0	0	0	0	0	0	T8 - T0								

Bit 15: E, Enable RCU.

Set 1: Enable the refresh counter unit

Set 0 : Disable the refresh counter unit.

Bit 14-9 : Reserved

Bit 8-0: T8-T0, Refresh Count. Read only bits and these bits present value of the down counter which triggers refresh requests.

20. INSTRUCTION SET OPCODES AND CLOCK CYCLES

Function	Format				Clocks	Notes
DATA TRANSFER INSTRUCTIONS						
MOV = Move						
register to register/memory	1000100w	mod reg r/m			1/1	
register/memory to register	1000101w	mod reg r/m			1/6	
immediate to register/memory	1100011w	mod 000 r/m	data	data if w=1	1/1	
immediate to register	1011w reg	data	data if w=1		1	
memory to accumulator	1010000w	addr-low	addr-high		6	
accumulator to memory	1010001w	addr-low	addr-high		1	
register/memory to segment register	10001110	mod 0 reg r/m			3/8	
segment register to register/memory	10001100	mod 0 reg r/m			2/2	
PUSH = Push						
memory	11111111	mod 110 r/m			8	
register	01010 reg				3	
segment register	000reg110				2	
immediate	011010s0	data	data if s=0		1	
POP = Pop						
memory	10001111	mod 000 r/m			8	
register	01011 reg				6	
segment register	000 reg 111	(reg ≠ 01)			8	
PUSHA = Push all						
POPA = Pop all						
XCHG = Exchange						
register/memory	1000011w	mod reg r/m			3/8	
register with accumulator	10010 reg				3	
XTAL = Translate byte to AL						
IN = Input from						
fixed port	1110010w	port			12	
variable port	1110110w				12	
OUT = Output from						
fixed port	1110010w	port			12	
variable port	1110110w				12	
LEA = Load EA to register						
LDS = Load pointer to DS						
LES = Load pointer to ES						
ENTER = Build stack frame						
L = 0					7	
L = 1					11	
L > 1					11+10(L-1)	
LEAVE = Tear down stack frame						
LAHF = Load AH with flags						
SAHF = Store AH into flags						
PUSHF = Push flags						
POPF = Pop flags						
ARITHMETIC INSTRUCTIONS						
ADD = Add						
reg/memory with register to either	000000dw	mod reg r/m			1/7	
immediate to register/memory	100000sw	mod 000 r/m	data	data if sw=01	1/8	
immediate to accumulator	0000010w	data	data if w=1		1	

Function	Format	Clocks	Notes
ADC = Add with carry reg/memory with register to either immediate to register/memory immediate to accumulator	000100dw mod reg r/m	1/7	
	100000sw mod 010 r/m data data if sw=01	1/8	
	0001010w data data if w=1	1	
INC = Increment register/memory register	111111w mod 000 r/m	1/8	
	01000 reg	1	
SUB = Subtract reg/memory with register to either immediate from register/memory immediate from accumulator	001010dw mod reg r/m	1/7	
	100000sw mod 101 r/m data data if sw=01	1/8	
	0001110w data data if w=1	1	
SBB = Subtract with borrow reg/memory with register to either immediate from register/memory immediate from accumulator	000110dw mod reg r/m	1/7	
	100000sw mod 011 r/m	1/8	
	0001110w data data if w=1	1	
DEC = Decrement register/memory register	111111w mod 001 r/m	1/8	
	01001 reg	1	
NEG = Change sign register/memory	1111011w mod reg r/m	1/8	
CMP = Compare register/memory with register register with register/memory immediate with register/memory immediate with accumulator	0011101w mod reg r/m	1/7	
	0011100w mod reg r/m	1/7	
	100000sw mod 111 r/m data data if sw=01	1/7	
	0011110w data data if w=1	1	
MUL = multiply (unsigned) register-byte register-word memory-byte memory-word	1111011w mod 100 r/m	13	
		21	
		18	
		26	
		26	
IMUL = Integer multiply (signed) register-byte register-word memory-byte memory-word register/memory multiply immediate (signed)	1111011w mod 101 r/m	16	
		24	
		21	
		29	
	011010s1 mod reg r/m data data if s=0	23/28	
DIV = Divide (unsigned) register-byte register-word memory-byte memory-word	1111011W mod 110 r/m	18	
		26	
		23	
		31	
IDIV = Integer divide (signed) register-byte register-word memory-byte memory-word	1111011w mod 111 r/m	18	
		26	
		23	
		31	
AAS = ASCII adjust for subtraction	00111111	3	
DAS = Decimal adjust for subtraction	00101111	2	
AAA = ASCII adjust for addition	00110111	3	
DAA = Decimal adjust for addition	00100111	2	
AAD = ASCII adjust for divide	11010101 00001010	14	
AAM = ASCII adjust for multiply	11010100 00001010	15	
CBW = Corrvvert byte to word	10011000	2	
CWD = Convert word to double-word	10011001	2	

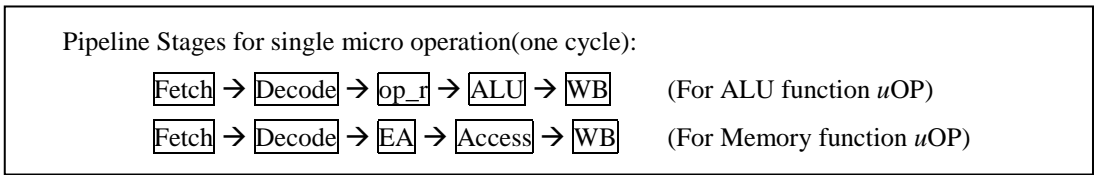
Function	Format	Clocks	Notes
BIT MANIPULATION INSTRUCTUIONS			
NOT = Invert register/memory	1111011w mod 010 r/m	1/7	
AND = And reg/memory and register to either immediate to register/memory immediate to accumulator	001000dw mod reg r/m 1000000w mod 100 r/m data data if w=1 0010010w data data if w=1	1/7 1/8 1	
OR = Or reg/memory and register to either immediate to register/memory immediate to accumulator	000010dw mod reg r/m 1000000w mod 001 r/m data data if w=1 0000110w data data if w=1	1/7 1/8 1	
XOR = Exclusive or reg/memory and register to either immediate to register/memory immediate to accumulator	001100dw mod reg r/m 1000000w mod 110 r/m data data if w=1 0011010w data data if w=1	1/7 1/8 1	
TEST = And function to flags , no result register/memory and register immediate data and register/memory immediate data and accumulator	1000010w mod reg r/m 1111011w mod 000 r/m data data if w=1 1010100w data data if w=1	1/7 1/8 1	
Sifts/Rotates register/memory by 1 register/memory by CL register/memory by Count	1101000w mod TTT r/m 1101001w mod TTT r/m 1100000w mod TTT r/m count	2/8 1+n / 7+n 1+n / 7+n	
STRING MANIPULATION INSTRUCTIONS			
MOVS = Move byte/word	1010010w	13	
INS = Input byte/word from DX port	0110110w	13	
OUTS = Output byte/word to DX port	0110111w	13	
CMPS = Compare byte/word	1010011w	18	
SCAS = Scan byte/word	101011w	13	
LODS = Load byte/word to AL/AX	1010110w	13	
STOS = Store byte/word from AL/AX	1010101w	7	
Repeated by count in CX:			
MOVS = Move byte/word	11110010 1010010w	4+9n	
INS = Input byte/word from DX port	11110010 0110110w	5+9n	
OUTS = Output byte/word to DX port	11110010 0110111w	5+9n	
CMPS = Compare byte/word	1111011z 1010011w	4+18n	
SCAS = Scan byte/word	1111001z 1010111w	4+13n	
LODS = Load byte/word to AL/AX	11110010 0101001w	3+9n	
STOS = Store byte/word from AL/AX	11110100 0101001w	4+3n	
PROGRAM TRANSFER INSTRUCTIONS			
Conditional Transfers — jump if:			
JE/JZ = equal/zero	01110100 disp	1/9	
JL/JNGE = less/not greater or equal	01111100 disp	1/9	
JLE/JNG = less or equal/not greater	01111110 disp	1/9	
JC/JB/JNAE = carry/below/not above or equal	01110010 disp	1/9	
JBE/JNA = below or equal/not above	01110110 disp	1/9	
JP/JPE = parity/parity even	01111010 disp	1/9	
JO = overflow	01110000 disp	1/9	
JS = sign	01111000 disp	1/9	
JNE/JNZ = not equal/not zero	01110101 disp	1/9	
JNL/JGE = not less/greater or equal	01111101 disp	1/9	
JNLE/JG = not less or equal/greater	01111111 disp	1/9	
JNC/JNB/JAE = not carry/not below /above or equal	01110011 disp	1/9	
JNBE/JA = not below or equal/above	01110111 disp	1/9	
JNP/JPO = not parity/parity odd	01111011 disp	1/9	
JNO = not overflow	01110001 disp	1/9	
JNS = not sign	01111001 disp	1/9	

Function	Format	Clocks	Notes
Unconditional Transfers			
CALL = Call procedure			
direct within segment	11101000 disp-low disp-high	11	
reg/memory indirect within segment	11111111 mod 010 r/m	12/17	
indirect intersegment	11111111 mod 011 r/m (mod ≠ 11)	25	
direct intersegment	10011010 segment offset selector	18	
RET = Return from procedure			
within segment	11000011	16	
within segment adding immed to SP	11000010 data-low data-high	16	
intersegment	11001011	23	
insegment adding immed to SP	1001010 data-low data-high	23	
JMP = Unconditional jump			
short/long	11101011 disp-low	9/9	
direct within segment	11101001 disp-low disp-high	9	
reg/memory indirect within segment	11111111 mod 100 r/m	11/16	
indirect intersegment	11111111 mod 101 r/m (mod ?11)	18	
direct intersegment	11101010 segment offset selector	11	
Iteration Control			
LOOP = Loop CX times	11100010 disp	7/16	
LOOPZ/LOOPE = Loop while zero/equal	11100001 disp	7/16	
LOOPNZ/LOOPNE = Loop while not zero/equal	11100000 disp	7/16	
JCXZ = Jump if CX = zero	11100011 disp	7/15	
Interrupt			
INT = Interrupt			
Type specified	11001101 type	41	
Type 3	11001100	41	
INTO = Interrupt on overflow	11001110	43/4	
BOUND = Detect value out of range	01100010 mod reg r/m	21-60	
IRET = Interrupt return	11001111	31	
PROCESSOR CONTROL INSTRUCTIONS			
CLC = clear carry	11111000	2	
CMC = Complement carry	11110101	2	
STC = Set carry	11111001	2	
CLD = Clear direction	11111100	2	
STD = Set direction	11111101	2	
CLI = Clear interrupt	11111010	5	
STI = Set interrupt	11111011	5	
HLT = Halt	11110100	1	
WAIT = Wait	10011011	1	
LOCK = Bus lock prefix	11110000	1	
ESC = Math coprocessor escape	11011MMM mod PPP r/m	1	
NOP = No operation	10010000	1	
SEGMENT OVERRIDE PREFIX			
CS	00101110	2	
SS	00110110	2	
DS	00111110	2	
ES	00100110	2	

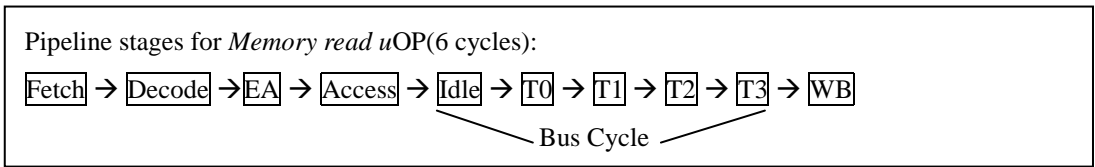
20.1 R1120 Execution Timings

The above instruction timing represents the minimum execution time in clock cycles for each instruction. The timings given are based on the following assumptions:

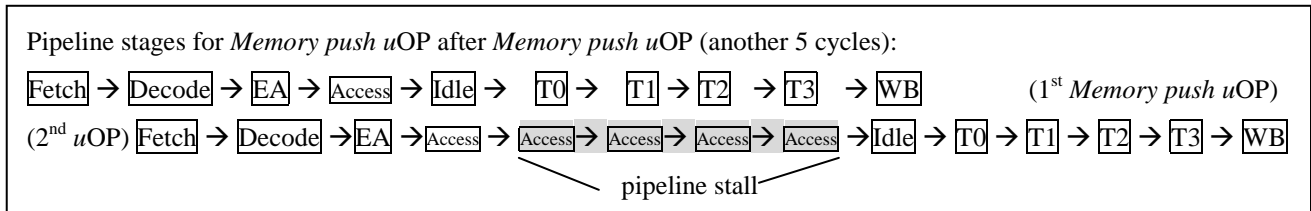
1. The opcode, along with and data or displacement required for execution, has been prefetched and resides in the instruction queue at the time is needed.
2. No wait states or bus HOLDS occur.
3. All word -data is located on even-address boundaries.
4. One RISC micro operation(uOP) maps one cycle(according the pipeline stages described below) , except the following case:



4.1 Memory read uOP need 6 cycles for bus.

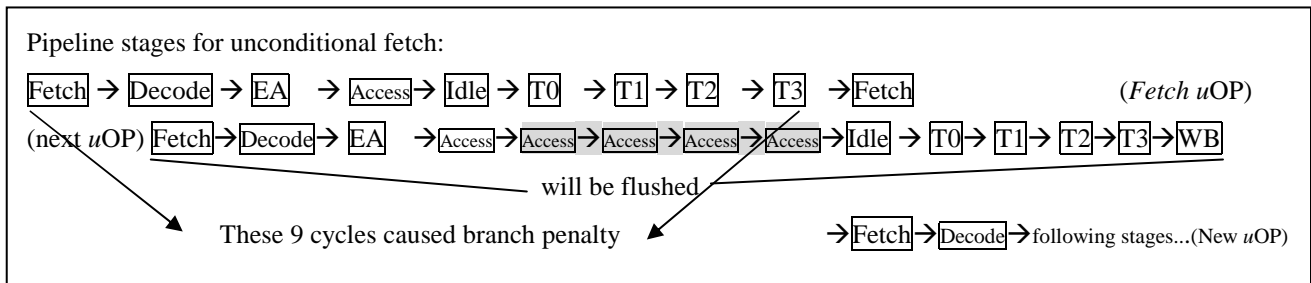


4.2 Memory push uOP need 1 cycle if it has no previous Memory push uOP, and 5 cycles if it has previous Memory push or Memory Write uOP.



4.3 MUL uOP and DIV of ALU function uOP for 8 bits operation need both 8 cycles, for 16 bits operation need both 16 cycles.

4.4 All jumps, calls, ret and loopXX instructions required to fetch the next instruction for the destination address(Unconditional Fetch uOP) will need 9 cycles.



Note: op_r: operand read stage, EA: Calculate Effective Address stage, Idle: Bus Idle stage, T0..T3: Bus T0..T3 stage, Access: Access data from cache memory stage.

21. I/O Characteristics of each pin

Pin NO.	Pin Name	Characteristics
71	$\overline{\text{RST}}$	Schmitt Trigger , 3.3V to 5V tolerant TTL input, with internal 75K pull-up resistor
8	ARDY	Schmitt Trigger , 3.3V to 5V tolerant TTL input, with internal 75K pull-down resistor
45 47	HOLD NMI	3.3V to 5V tolerant CMOS input, with internal 75K pull-down resistor
56 55	INT0 INT1/ $\overline{\text{SELECT}}$	Schmitt Trigger , 3.3V to 5V tolerant TTL input, with internal 75K pull-down resistor
16	CLKOUTA	8 mA 3-State CMOS output, 3.3V
17	CLKOUTB/TDI	Bi-direction I/O , with 75 K internal pull-down resistor 8mA TTL output, 3.3 V 3.3 V to 5V tolerant TTL input
9	$\overline{\text{S2}}/\text{TDO}$	Bi-direction I/O , with 75 K internal pull-up resistor 16mA TTL output, 3.3 V 3.3 V to 5V tolerant TTL input
10 11	$\overline{\text{S1}}/\text{TCK}$ $\overline{\text{S0}}/\text{TMS}$	Bi-direction I/O , with 75 K internal pull-down resistor 4mA TTL output, 3.3 V 3.3 V to 5V tolerant TTL input
43 6 5	$\overline{\text{WLB}}$ $\overline{\text{RD}}$ $\overline{\text{WR}}$	12 mA 3-State CMOS output, 3.3V
19 20 22	A19/PIO9 A18/PIO8 A17/PIO7	Bi-direction I/O , with enabled/disabled 10 K internal pull-up resistor when active as PIO, for normal function the 10k pull-up resistor is disabled. 16mA TTL output, 3.3 V 3.3 V to 5V tolerant TTL input
23 24 25 26 27 28 29 30 31 32 33 34 35 36 37 39 40	A16 A15 A14 A13 A12 A11 A10 A9 A8 A7 A6 A5 A4 A3 A2 A1 A0	16 mA 3-State CMOS output, 3.3V
78 80 82 84	AD0 AD1 AD2 AD3	Bi-direction I/O , 16mA TTL output, 3.3 V 3.3 V to 5V tolerant TTL input

86	AD4	
88	AD5	
91	AD6	
94	AD7	
79	AD8	
81	AD9	
83	AD10	
85	AD11	
87	AD12	
90	AD13	
93	AD14	
95	AD15	
7	ALE	Bi-direction I/O , with 75 K internal pull-down resistor 8mA TTL output, 3.3 V 3.3 V to 5V tolerant TTL input
46 74 73 2 1	SRDY/PIO6 TMROUT0/PIO10 TMROUT1/PIO1 TXD0/PIO22 RXD0/PIO23	Bi-direction I/O , with enabled/disabled 10 K internal pull-down resistor when active as PIO, for normal function the 10k pull-down resistor is disabled. 8mA TTL output, 3.3 V 3.3 V to 5V tolerant TTL input
4	$\overline{\text{BHE}} / \overline{\text{ADEN}} / \overline{\text{TRST}}$	Bi-direction I/O , with 75 K internal pull-up resistor 4mA TTL output, 3.3 V 3.3 V to 5V tolerant TTL input
42	$\overline{\text{WHB}}$	Bi-direction I/O , with 75 K internal pull-up resistor 12mA TTL output, 3.3 V 3.3 V to 5V tolerant TTL input
44	HLDA	4 mA CMOS output, 3.3 V
54 52	$\overline{\text{INT2}} / \overline{\text{INTA0}} / \text{PIO31}$ $\overline{\text{INT4}} / \text{PIO30}$	Bi-direction I/O , with enabled/disabled 10 K internal pull-up resistor when active as PIO, for normal function the 10k pull-up resistor is disabled. 8mA TTL output, 3.3 V 3.3 V to 5V tolerant Schmitt Trigger input
53	$\overline{\text{INT3}} / \overline{\text{INTA1}} / \text{IRQ}$	Bi-direction I/O , with 75 K internal pull-down resistor 8mA TTL output, 3.3 V 3.3 V to 5V tolerant Schmitt Trigger input
57 58	$\overline{\text{UCS}} / \overline{\text{ONCE1}}$ $\overline{\text{LCS}} / \overline{\text{ONCE0}}$	Bi-direction I/O , with 10 K internal pull-up resistor 8mA TTL output, 3.3 V 3.3 V to 5V tolerant Schmitt Trigger input

49	$\overline{\text{DEN}}$ /PIO5	
48	$\overline{\text{DT R}}$ /PIO4	
66	$\overline{\text{PCS0}}$ /PIO16	
65	$\overline{\text{PCS1}}$ /PIO17	
63	$\overline{\text{PCS2}}$ / $\overline{\text{CTS1}}$ / $\overline{\text{ENRX1}}$ /PIO18	
62	$\overline{\text{PCS3}}$ / $\overline{\text{RTS1}}$ / $\overline{\text{RTR1}}$ /PIO19	
60	$\overline{\text{PCS5}}$ /A1/PIO3	
59	$\overline{\text{PCS6}}$ /A2/PIO2	
50	$\overline{\text{MCS0}}$ /PIO14	
51	$\overline{\text{MCS1}}$ /PIO15	
68	$\overline{\text{MCS2}}$ /PIO24	
69	$\overline{\text{MCS3}}$ / $\overline{\text{RFSH}}$ /PIO25	
97	$\overline{\text{UZI}}$ /PIO26	
96	S6/ $\overline{\text{CLKDIV2}}$ /PIO29	
75	TMRIN0/PIO11	
72	TMRIN1/PIO0	
77	DRQ0/INT5/PIO12	
76	DRQ1/INT6/PIO13	
98	TXD1/PIO27	
99	RXD1/PIO28	
100	$\overline{\text{CTS0}}$ / $\overline{\text{ENRX0}}$ /PIO21	
3	$\overline{\text{RTS0}}$ / $\overline{\text{RTR0}}$ /PIO20	
		Bi-direction I/O , with enabled/disabled 10 K internal pull-up resistor when active as PIO, for normal function the 10k pull-up resistor is disabled. 8mA TTL output, 3.3 V 3.3 V to 5V tolerant TTL input

22. DC/AC Characteristics

A. R1120 DC Characteristics

Recommended DC Operating Conditions

Symbol	Parameter	Min.	Typ.	Max.	Unit
V _{cc}	Supply Voltage	3.0	3.3	3.6	V
GND	Ground	0	0	0	V
V _{ih}	Input High Voltage(1)	2		V _{cc} +0.5	V
V _{ih1}	Input High Voltage(RES)	3		V _{cc} +0.5	V
V _{ih2}	Input High Voltage(X1)	3		V _{cc} +0.5	V
V _{il}	Input Low Voltage	-0.5	0	0.8	V

Notes 1: RES, X1 pins not included

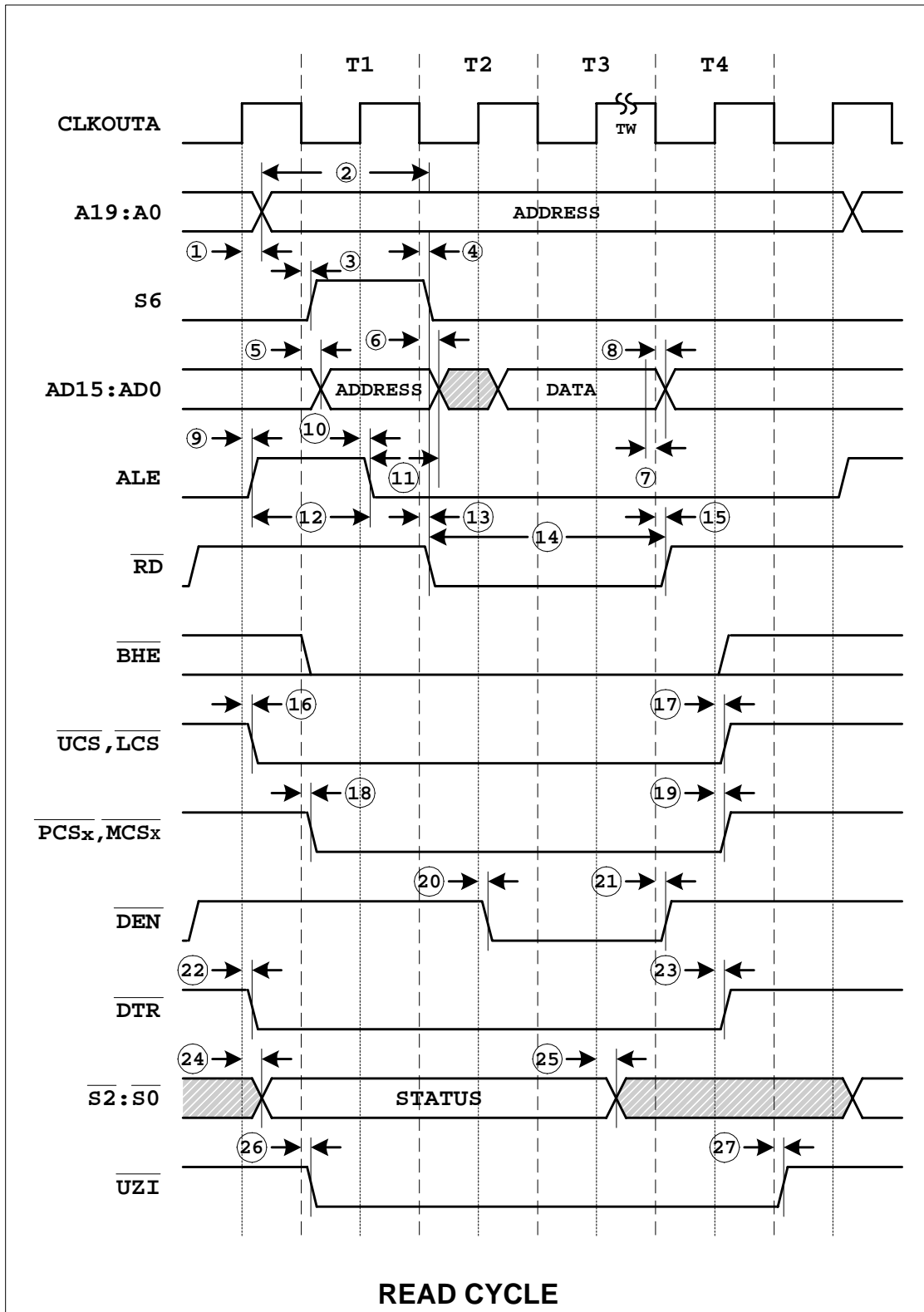
DC Elcetrical Characteristics

Symbol	Parameter	Test Condition	Min.	Max.	Unit
I _{li}	Input Leakage Current	V _{cc} =V _{max} V _{in} =GND to V _{max}	-10	10	uA
I _{li} (with 10K pull R)	Input leakage Current with Pull_R 10K enable	V _{cc} =V _{max} V _{in} =GND to V _{max}	-300	300	uA
I _{li} (with 75K pull R)	Input leakage Current with Pull_R 75K enable	V _{cc} =V _{max} V _{in} =GND to V _{max}	-100	100	uA
I _{lo}	Output Leakage Current	V _{cc} =V _{max} V _{in} =GND to V _{max}	-10	10	uA
V _{OL}	Output Low Voltage	I _{ol} =6mA, V _{cc} =V _{min}		0.4	V
V _{OH}	Output High Voltage	I _{oh} =-6mA V _{cc} =V _{min}	2.4		V
I _{cc}	Max Operating Current	V _{cc} = 3.6V 80MHz (*2)		180	mA

Note 1: V_{max}=3.6V V_{min}=3V

Note 2: While Reset Cycle, external X_{in} = 20 MHz, PLL 4 times.

B. R1120 AC Characteristics

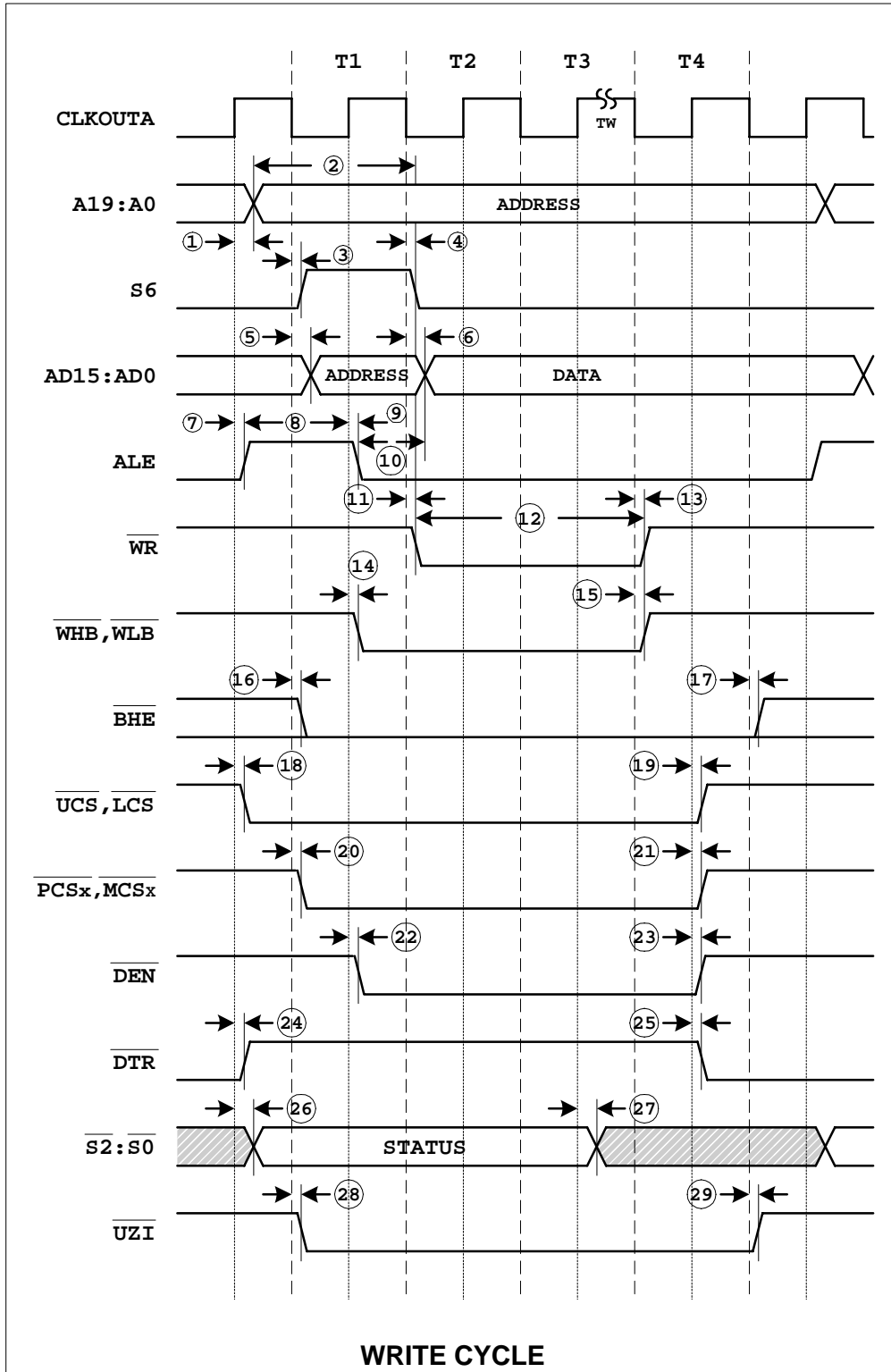


No.	Description	MIN	MAX	Unit
1	CLKOUTA high to A Address Valid	0	12	ns
2	A address valid to RD low	1.5T-9		ns
3	S6 active delay	0	15	ns
4	S6 inactive delay	0	15	ns
5	AD address Valid Delay	0	12	ns
6	Address Hold	0	12	ns
7	Data in setup	5		ns
8	Data in Hold	2		ns
9	ALE active delay	0	12	ns
10	ALE inactive delay	0	12	ns
11	Address Valid after ALE inactive	T/2-5		ns
12	ALE width	T-5		ns
13	RD active delay	0	12	ns
14	RD Pulse Width	2T-10		ns
15	RD inactive delay	0	12	ns
16	CLKOUTA HIGH to LCS UCS valid	0	15	ns
17	UCS,LCS inactive delay	0	15	ns
18	PCS ,MCS active delay	0	15	ns
19	PCS ,MCS inactive delay	0	15	ns
20	DEN active delay	0	15	ns
21	DEN inactive delay	0	15	ns
22	DTR active delay	0	15	ns
23	DTR inactive delay	0	15	ns
24	Status active delay	0	15	ns
25	Status inactive delay	0	15	ns
26	UZI active delay	0	15	ns
27	UZI inactive delay	0	15	ns

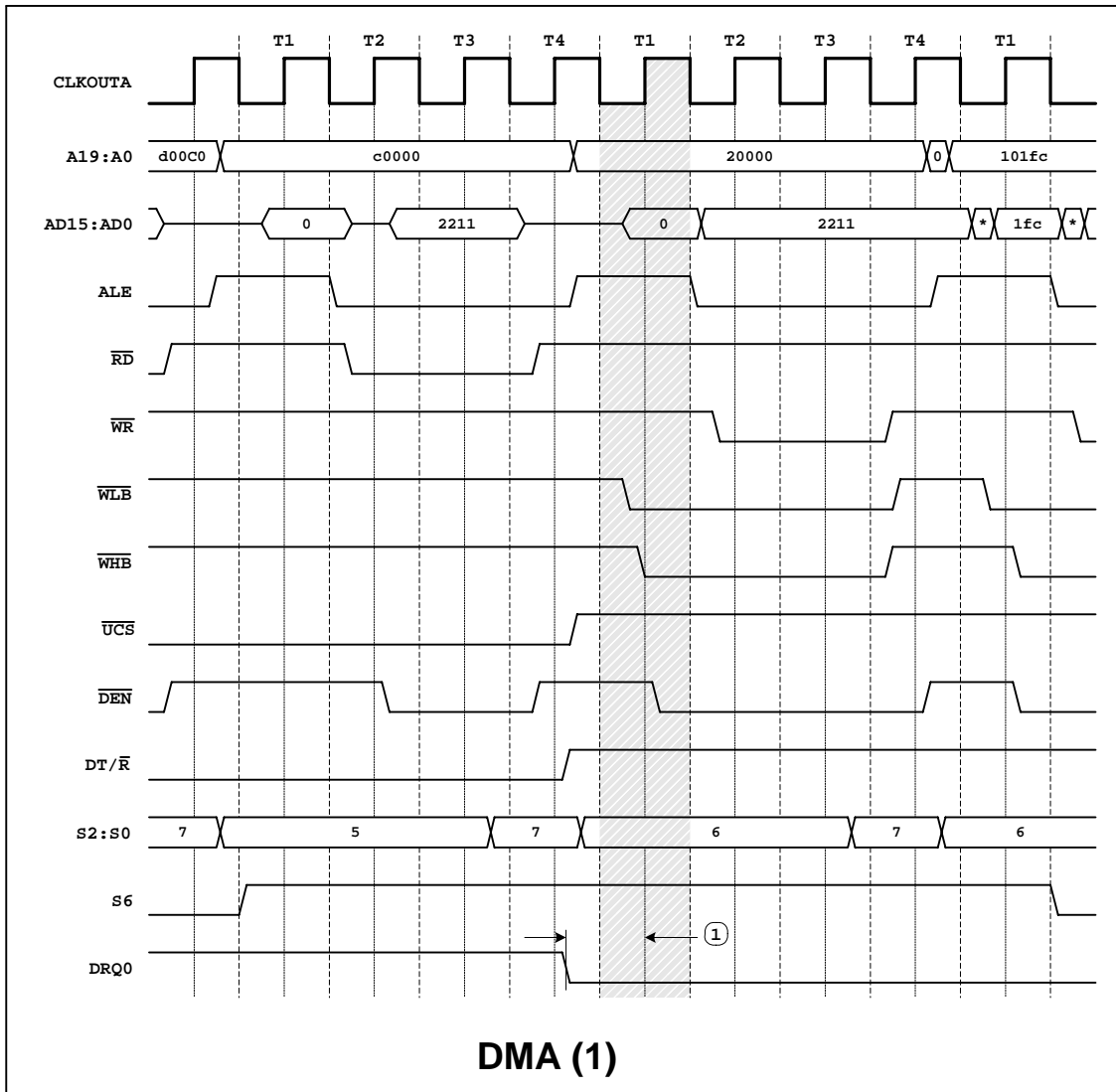
1. T means a clock period time

2. All timing parameters are measured at 1.5V with 50 PF loading on CLKOUTA

. All output test conditions are with CL=50 pF

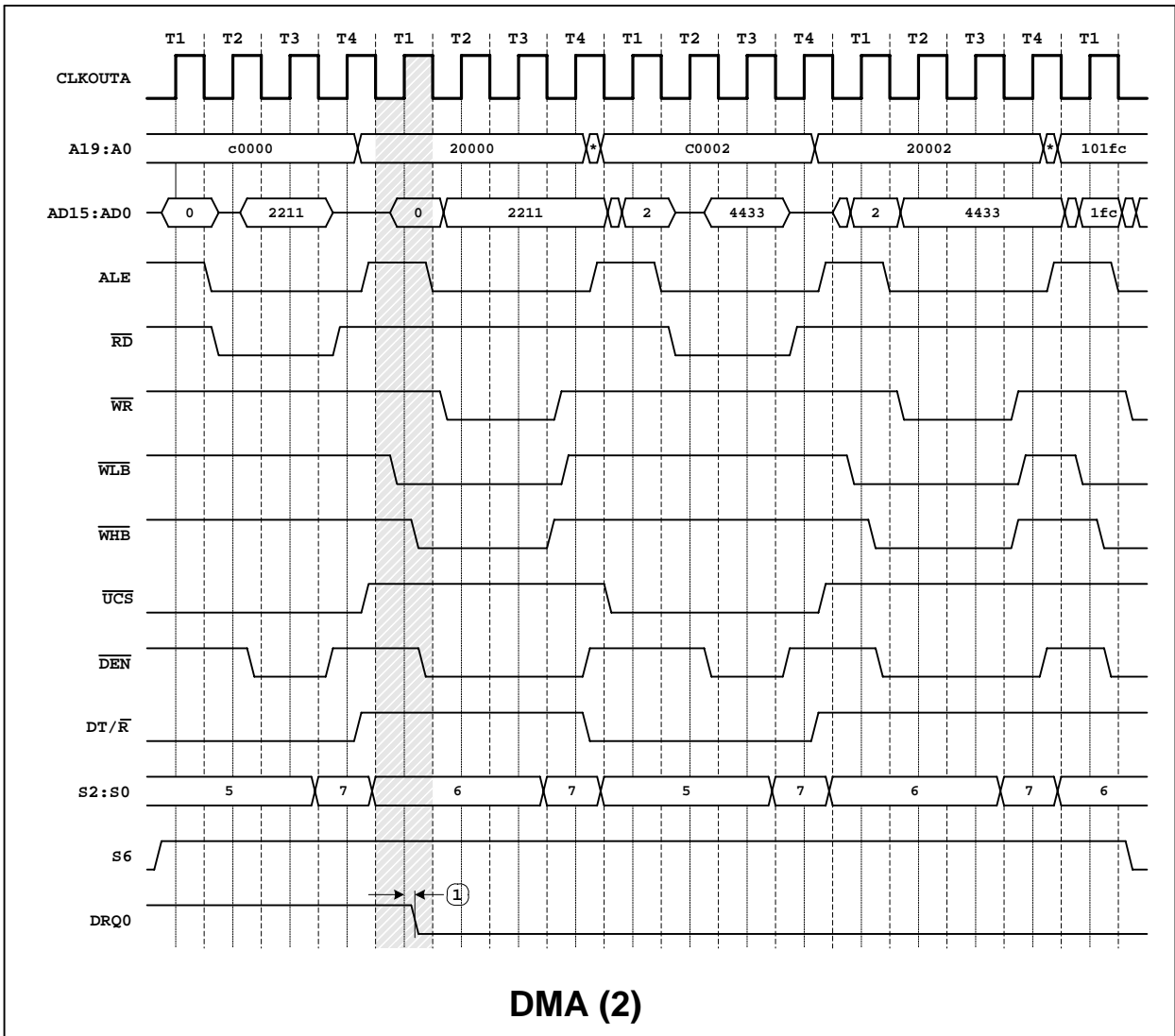


No.	Description	MIN	MAX	Unit
1	CLKOUTA high to A Address Valid	0	12	ns
2	A address valid to WR low	1.5T-9		ns
3	S6 active delay	0	15	ns
4	S6 inactive delay	0	15	ns
5	AD address Valid Delay	0	12	ns
6	Address Hold			ns
7	ALE active delay	0	12	ns
8	ALE width	T-10		ns
9	ALE inactive delay	0	12	ns
10	Address valid after ALE inactive	1/2T-5		ns
11	WR active delay	0	12	ns
12	WR pulse width	2T-10		ns
13	WR inactive delay	0	12	ns
14	WHB, WLB active delay	0	15	ns
15	WHB, WLB inactive delay	0	15	ns
16	BHE active delay	0	15	ns
17	BHE inactive delay	0	15	ns
18	CLKOUTA high to UCS, LCS valid	0	15	ns
19	UCS, LCS inactive delay	0	15	ns
20	PCS, MCS active delay	0	15	ns
21	PCS, MCS inactive delay	0	15	ns
22	DEN active delay	0	15	ns
23	DEN inactive delay	0	15	ns
24	DTR active delay	0	15	ns
25	DTR inactive delay	0	15	ns
26	Status active delay	0	15	ns
27	Status inactive delay	0	15	ns
28	UZI active delay	0	15	ns
29	UZI inactive delay	0	15	ns



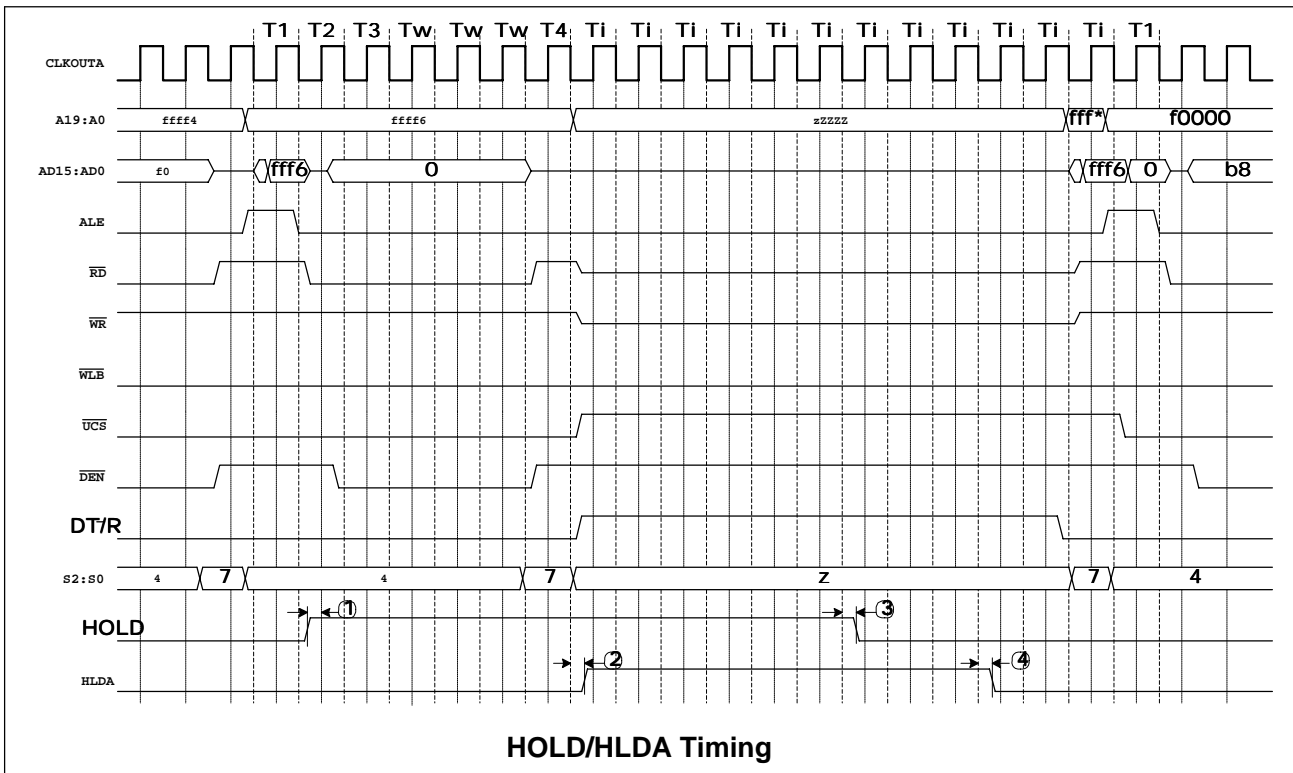
* The source-synchronized transfer is not followed immediately by another DMA transfer

No.	Description	MIN	MAX	Unit
1	DRQ is confirmed time	5		ns

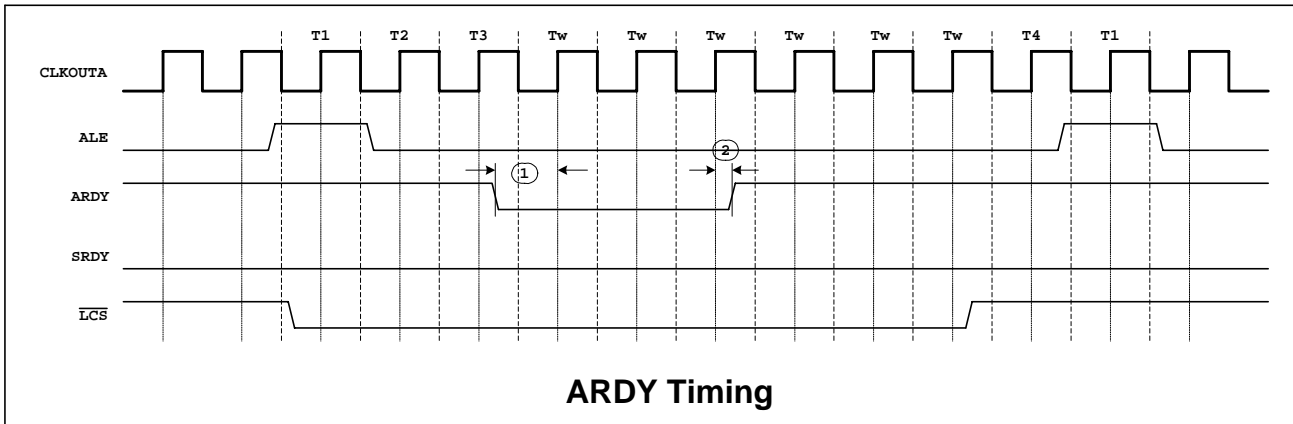


* The source-synchronized transfer is followed immediately by another DMA transfer

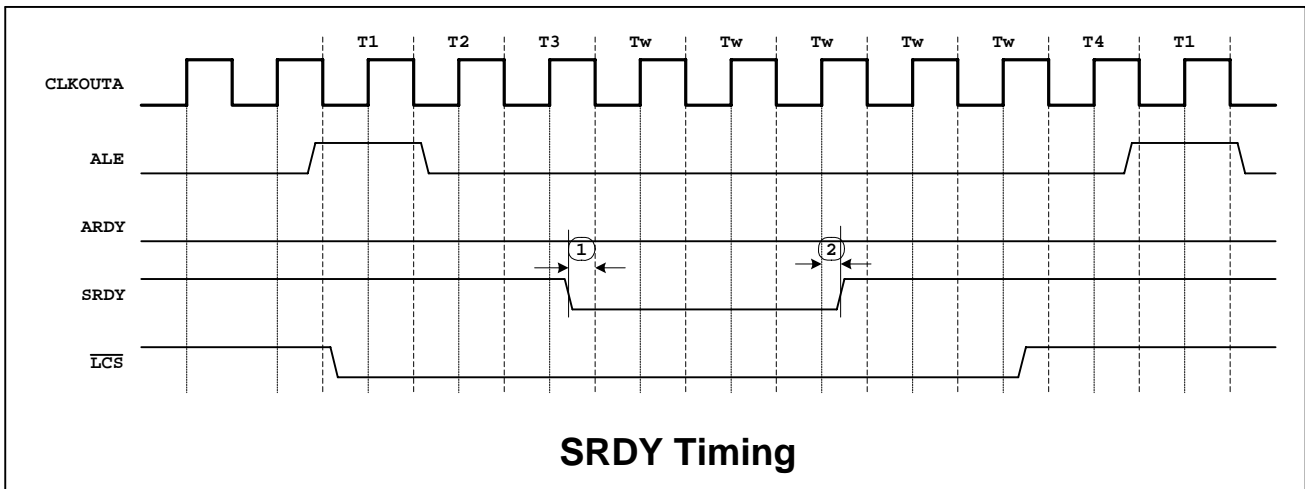
No.	Description	MIN	MAX	Unit
1	DRQ is confirmed time	2	0	ns



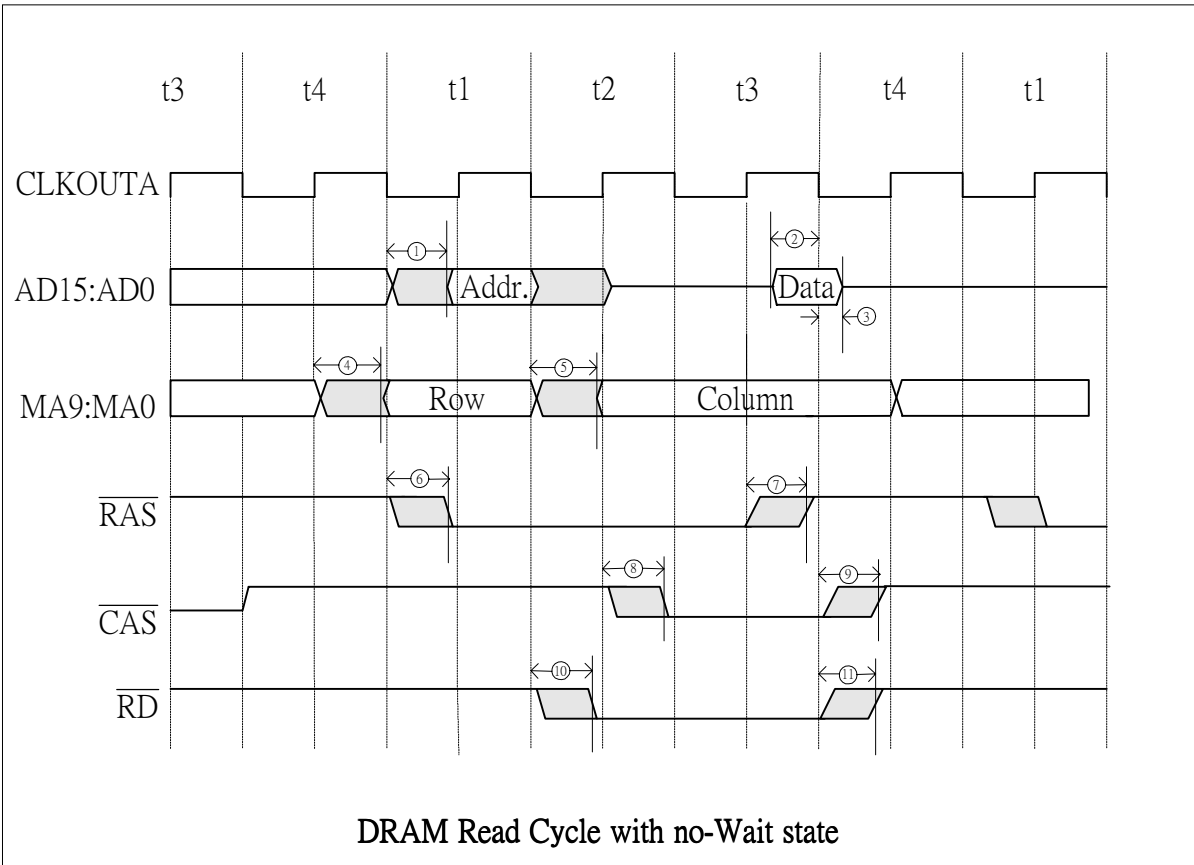
No.	Description	MIN	MAX	Unit
1	HOLD setup time	5	0	ns
2	HLDA Valid Delay	0	15	ns
3	HOLD hold time	2	0	ns
4	HLDA Valid Delay	0	15	ns



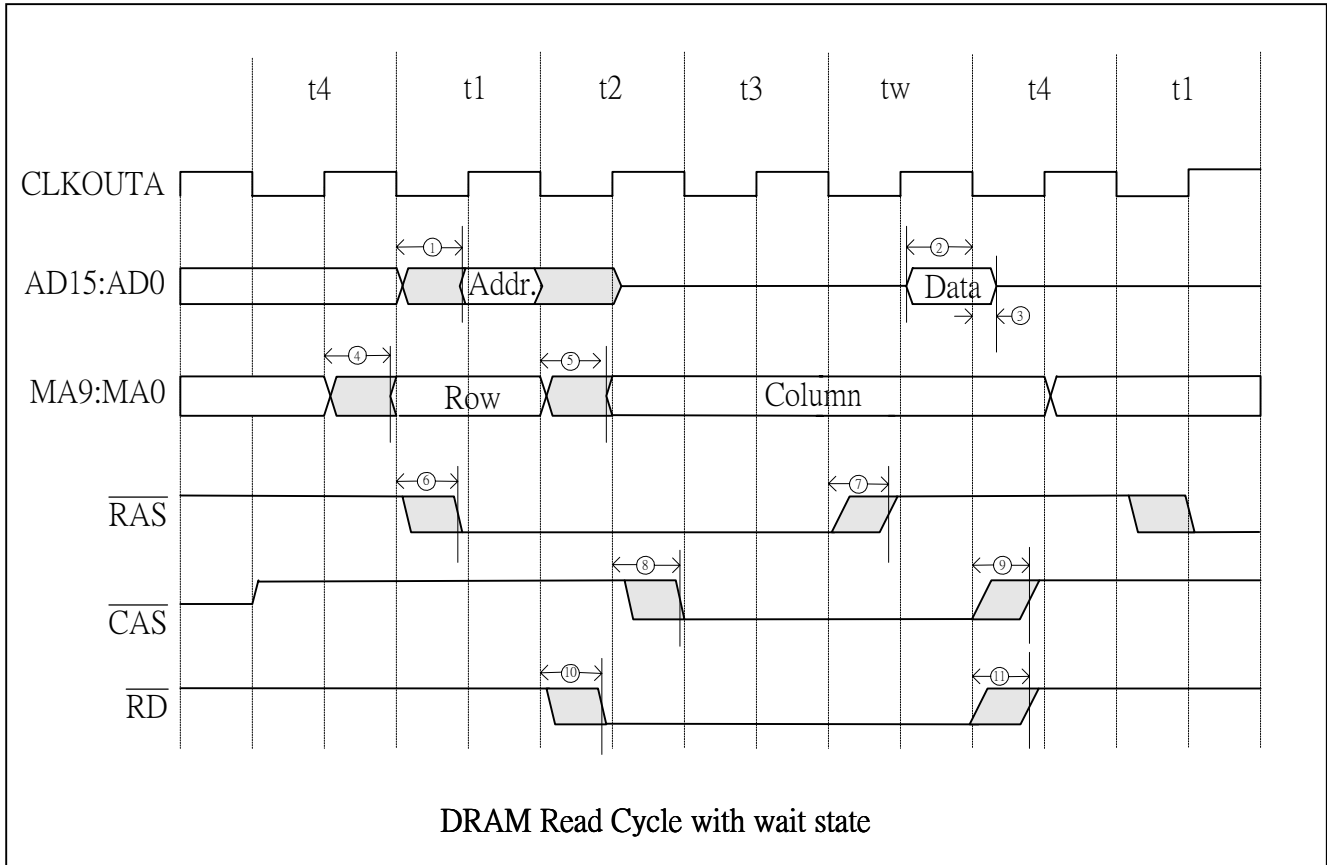
No.	Description	MIN	MAX	Unit
1	ARDY Resolution Transition setup time	5	0	ns
2	ARDY active hold time	5	0	ns



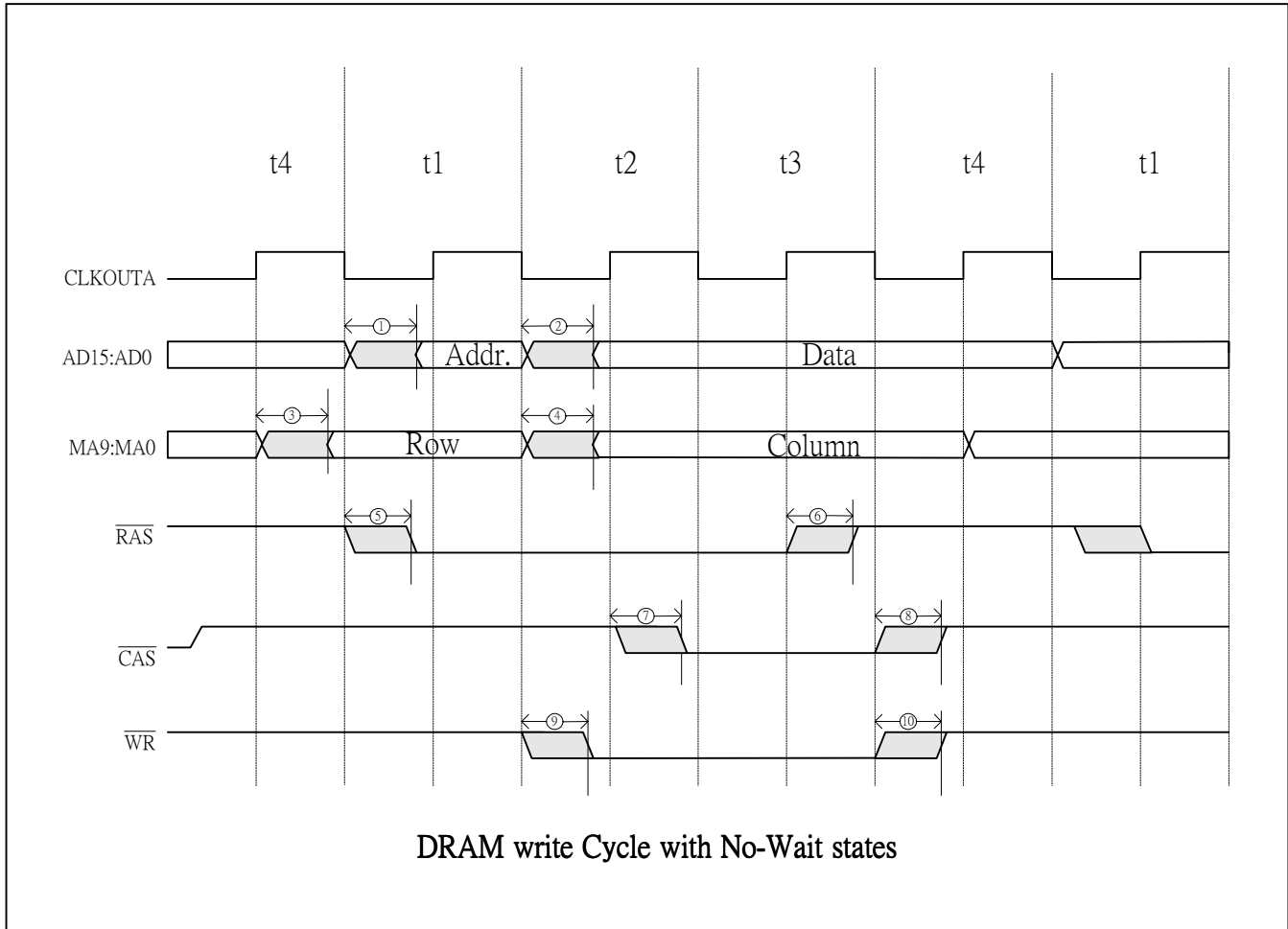
No.	Description	MIN	MAX	Unit
1	SRDY transition setup time	5	0	ns
2	SRDY transition hold time	5	0	ns



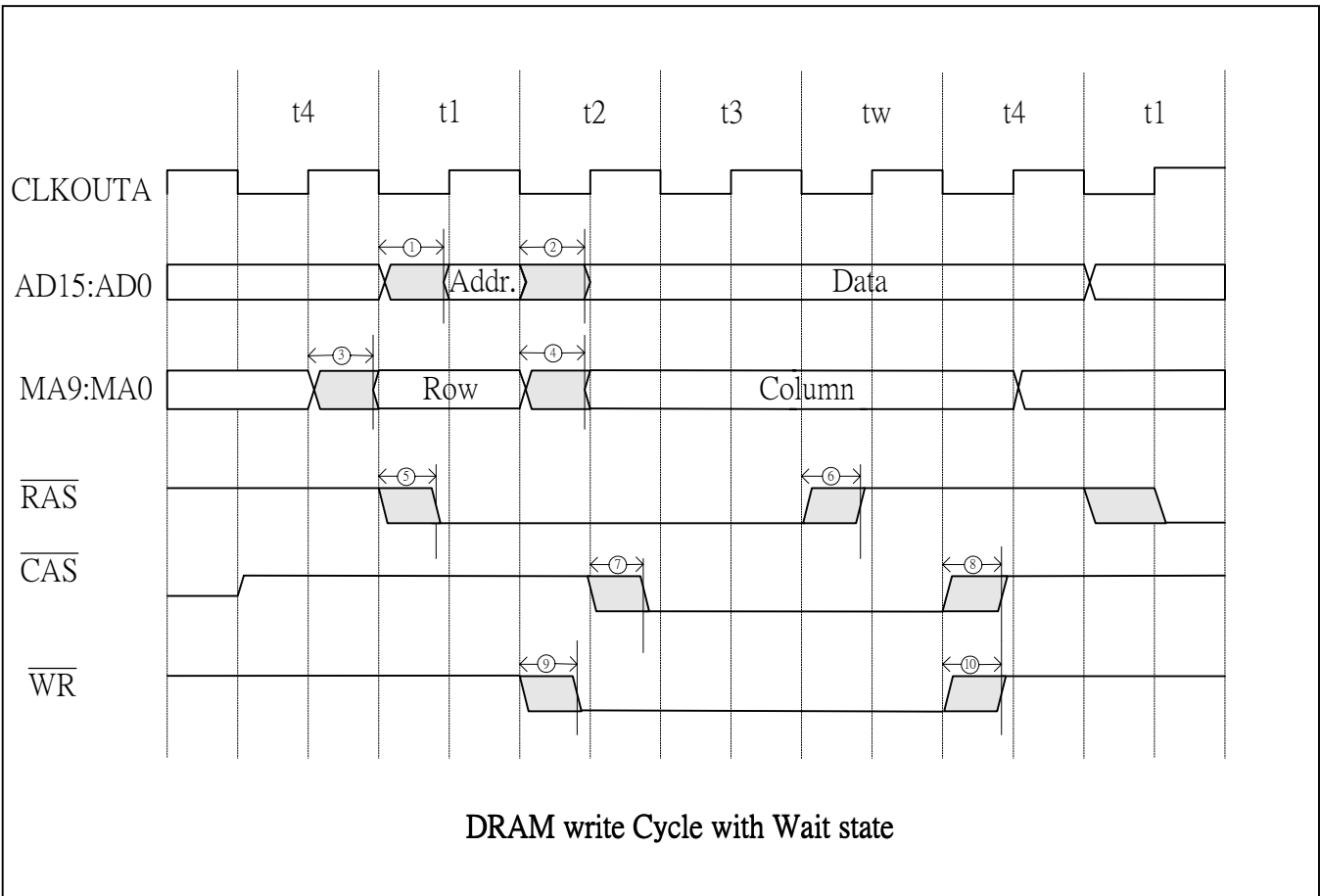
No.	Description	MIN	MAX	Unit
1	CLKOUTA low to A Address Valid	0	12	ns
2	Data setup time	5		ns
3	Data hold time	2		ns
4	CLKOUTA high to Row address valid	0	12	ns
5	CLKOUTA low to Column address valid	0	12	ns
6	CLKOUTA low to \overline{RAS} active	3	12	ns
7	CLKOUTA high to \overline{RAS} inactive	3	12	ns
8	CLKOUTA high to \overline{CAS} active	3	12	ns
9	CLKOUTA low to \overline{CAS} inactive	3	12	ns
10	CLKOUTA low to \overline{RD} active	0	12	ns
11	CLKOUTA low to \overline{RD} inactive	0	12	ns



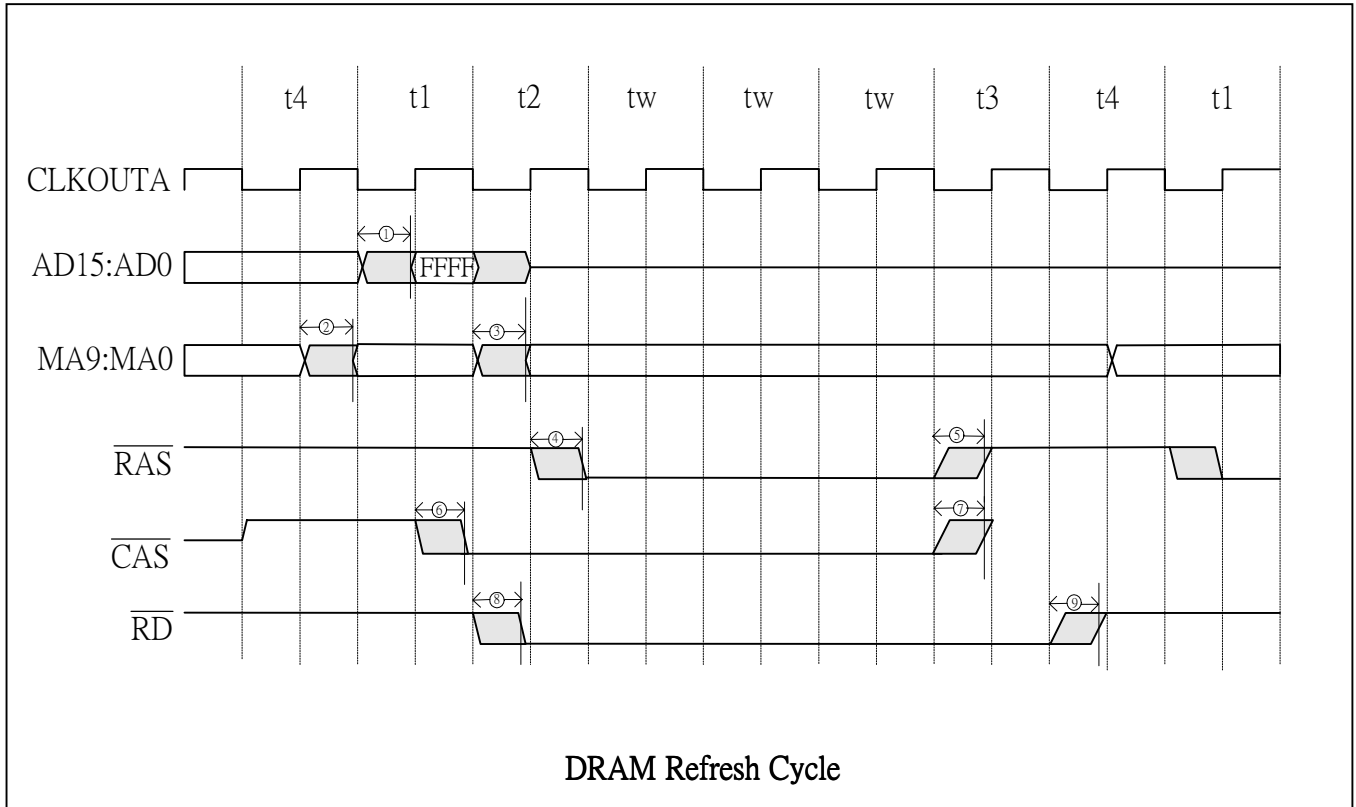
No.	Description	MIN	MAX	Unit
1	CLKOUTA low to A Address Valid	0	12	ns
2	Data setup time	5		ns
3	Data hold time	2		ns
4	CLKOUTA high to Row address valid	0	12	ns
5	CLKOUTA low to Column address valid	0	12	ns
6	CLKOUTA low to \overline{RAS} active	3	12	ns
7	CLKOUTA high to \overline{RAS} inactive	3	12	ns
8	CLKOUTA high to \overline{CAS} active	3	12	ns
9	CLKOUTA low to \overline{CAS} inactive	3	12	ns
10	CLKOUTA low to \overline{RD} active	0	12	ns
11	CLKOUTA low to \overline{RD} inactive	0		ns



No.	Description	MIN	MAX	Unit
1	CLKOUTA low to A Address Valid	0	12	ns
2	CLKOUTA low to A Data Valid	0	12	ns
3	CLKOUTA high to Row address valid	0	12	ns
4	CLKOUTA low to Column address valid	0	12	ns
5	CLKOUTA low to \overline{RAS} active	3	12	ns
6	CLKOUTA high to \overline{RAS} inactive	3	12	ns
7	CLKOUTA high to \overline{CAS} active	3	12	ns
8	CLKOUTA low to \overline{CAS} inactive	3	12	ns
9	CLKOUTA low to \overline{WR} active	0	12	ns
10	CLKOUTA low to \overline{WR} inactive	0	12	ns

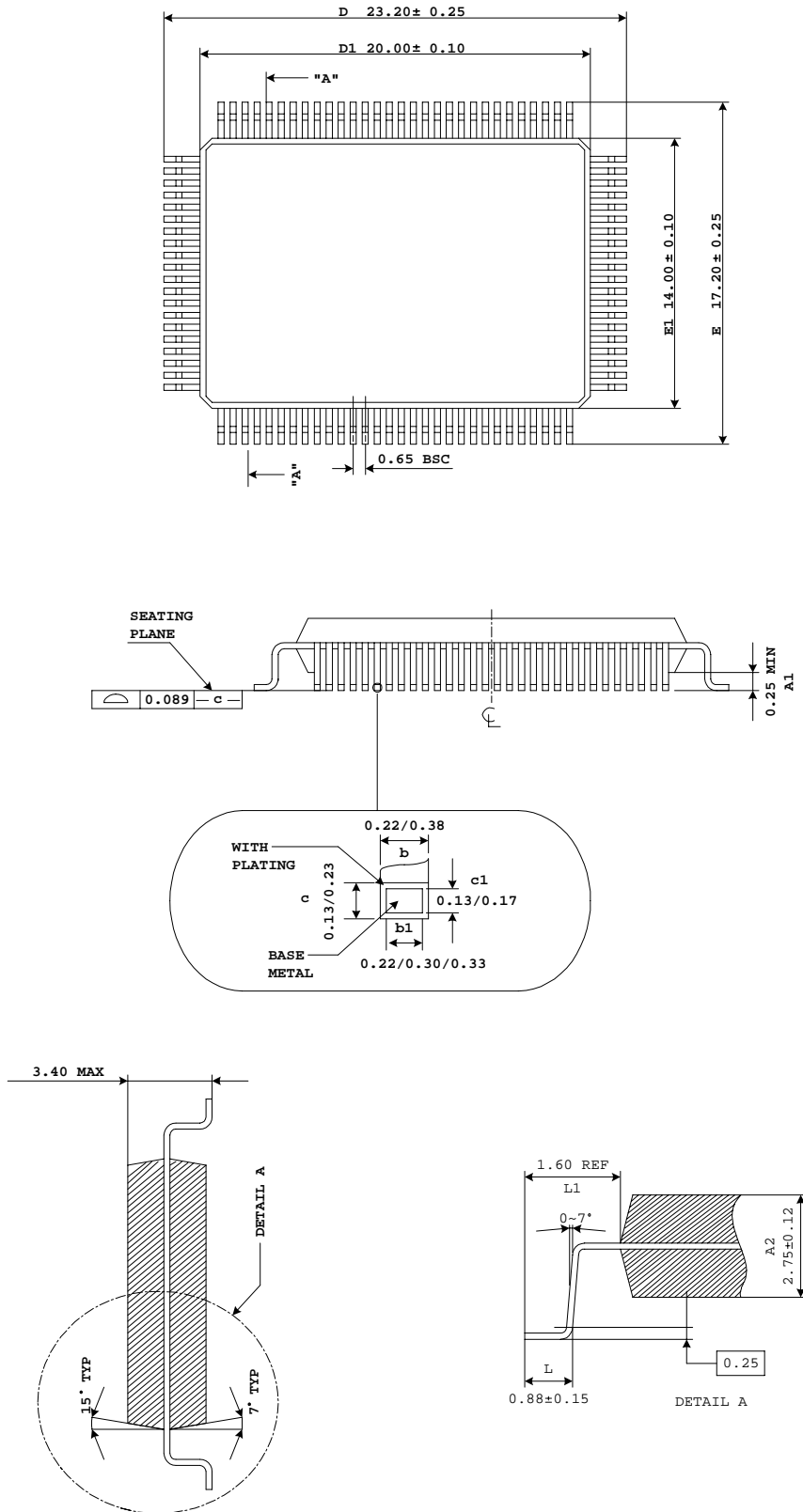


No.	Description	MIN	MAX	Unit
1	CLKOUTA low to A Address Valid	0	12	ns
2	CLKOUTA low to A Data Valid	0	12	ns
3	CLKOUTA high to Row address valid	0	12	ns
4	CLKOUTA low to Column address valid	0	12	ns
5	CLKOUTA low to \overline{RAS} active	3	12	ns
6	CLKOUTA high to \overline{RAS} inactive	3	12	ns
7	CLKOUTA high to \overline{CAS} active	3	12	ns
8	CLKOUTA low to \overline{CAS} inactive	3	12	ns
9	CLKOUTA low to \overline{WR} active	0	12	ns
10	CLKOUTA low to \overline{WR} inactive	0	12	ns

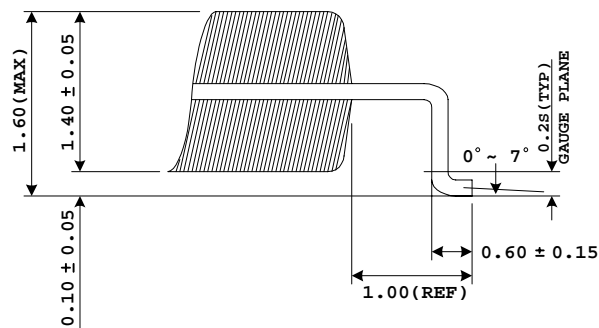
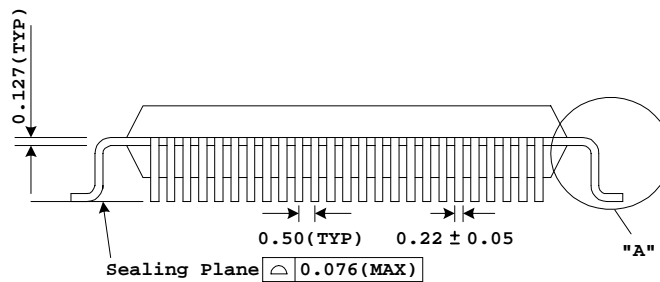
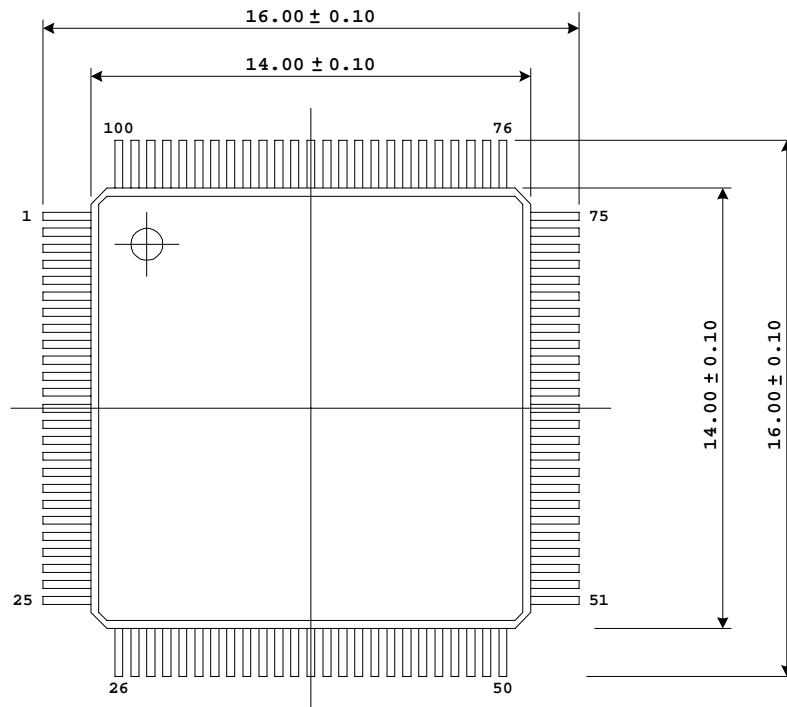


No.	Description	MIN	MAX	Unit
1	CLKOUTA high to Data drive FFFF	0	12	ns
2	CLKOUTA high to Row address valid	0	12	ns
3	CLKOUTA low to Column address valid	0	12	ns
4	CLKOUTA high to \overline{RAS} active	3	12	ns
5	CLKOUTA low to \overline{RAS} inactive	3	12	ns
6	CLKOUTA high to \overline{CAS} active	3	12	ns
7	CLKOUTA low to \overline{CAS} inactive	3	12	ns
8	CLKOUTA low to \overline{RD} active	0	12	ns
9	CLKOUTA low to \overline{RD} inactive	0	12	ns

23. PACKAGE INFORMATION
(PQFP)



(LQFP)



UNIT : mm

24.Revision History

Rev.	Date	History
1.0	2001/12/20	Formal release
1.1	2002/05/15	Modify JTAG and Wait State Description
1.2	2002/7/11	Add DC/AC Characteristics

Appendix A
Application note for using R11xx Ver.B

R11xx is high speed CPU with 3.3 volt power supply. The maximum internal clock is up to 80MHz, so R11 includes the PLL. The PLL default is 1 time factor.

Please note the following description items when using this high speed CPU:

- (a) The pins definition of R11xx is same as R88xx.
- (b) There is an extra register PLLCON (offset F8h) for R11xx.

The value of the Processor Release Level Register (offset 00F4h) is a new number.

Adding new R3 bit (bit3) in register (offset A0h) for \overline{UCS} inserts more wait states.

Adding new SALEn bit (bit 4) in register (offset F0h) for ALE inserts wait state.

- (c) The new release number (value of F4h) :

CPU Type	ID	CPU Type	ID
R1100	C5D9h	R1130	05D9h
R1110	45D9h	R1122	B5D9h
R1120	85D9h		

- (d) The I/O pin output is 3.3 volt level and the input is 3.3 volt to 5 volt tolerance.

- (e) It need pure and stable 3.3 volt power supply for the CPU. So it need the bypass 0.1uF and 10uF capacitor near each VCC pin.

- (f) To select the PLL factor by programming the register PLLCON (offset 0F8h).

- The input clock range : 2 MHz < frequency < 24 MHz
- Example configuration:

Input Clock	Value of 0F8h	Factor	Internal/Output clock
10MHz	0203h	1 (default)	10MHz
10MHz	0207h	2	20MHz
10MHz	020Bh	3	30MHz
10MHz	050Fh	4	40MHz
10MHz	0213h	5	50MHz
10MHz	040Bh	6	60MHz
10MHz	040Dh	7	70MHz
10MHz	051Fh	8	80MHz

Input Clock	Value of 0F8h	Factor	Internal/Output clock
20MHz	0203h	1 (default)	20MHz
20MHz	0103h	2	40MHz
20MHz	0105h	3	60MHz
20MHz	0107h	4	80MHz

(g) The **PLLCON** register (Offset F8h, reset value is 050Fh) definition:

Bit 15–12 : Reserved

Bit 11–10 : Pre-Divider (PRS) – Programming signals for pre-divider.

Bit 9–8 : Post-Divider (POS) – Programming signals for post-divider.

Bit 7–5 : Reserved

Bit 4–0 : Feedback Divider (FBS) – Programming signals for feedback divider.

$$\text{CLKOUT} = \text{FREF} * \frac{\text{N}}{\text{M} * \text{R}}$$

(CLKOUT : Internal/output frequency, FREF : input frequency)

PRS	M
00	1
01	2
10	3
11	4

POS	R
00	1
01	2
10	4
11	8

FBS	N	FBS	N	FBS	N	FBS	N
00000	1	01000	9	10000	17	11000	25
00001	2	01001	10	10001	18	11001	26
00010	3	01010	11	10010	19	11010	27
00011	4	01011	12	10011	20	11011	28
00100	5	01100	13	10100	21	11100	29
00101	6	01101	14	10101	22	11101	30
00110	7	01110	15	10110	23	11110	31
00111	8	01111	16	10111	24	11111	32

Note1 : 20 MHz < FREF * N / M < 280MHz

Note2 : N=1 : 5 MHz * M <= FREF < 50 MHz,

N=2 : 3.5 MHz * M <= FREF < 50 MHz,

N=3-32 : 2.8 MHz * M <= FREF < 50 MHz

Note3 : The frequency working range of crystal pad is 2 ~ 24 MHz.

(h) **UMCS Register** (Offset A0h, reset value is F033h) definition.

Bit 15: Reserved

Bit 14-12: LB2-LB0

Bit 11-8 :Reserved

Bit 7: DA

Bit 6-4 : Reserved

Bit 3: R3

Bit 2 :R2

Bit 1-0 : R1-R0

(i) **PSCON Register** (Offset F0h, reset value is 0000h) definition.

Bit 15 : PSEN

Bit 14-12: Reserved

Bit 11: CBF

Bit 10: CBD

Bit 9 :CAF

Bit 8 : CAD

Bit 7-4 :Reserved

Bit 3: SALEn, ALE inserts wait state.

Set to 0 : ALE without wait state

Set to 1 : one more T1 is added, bus should be 5T cycle

Bit 2-0 : F2-F0.

UCS_ Wait-State Encoding

R3	R1	R0	Wait States
0	0	0	0
0	0	1	1
0	1	0	2
0	1	1	3 (Default)
1	0	0	5
1	0	1	7
1	1	0	9
1	1	1	15

Appendix B

R11 series and R88 series comparison table

Difference Item	R11	R88
Operating Voltage	3.3V	5V
* PLL	W/T PLL	W/O PLL
Maximum Speed	80MHz	40MHz
CPU IA	R1100 = C5D9h, R1130 = O5D9h R1110 = 45D9h, R1122 = B5D9 R1120 = 85D9h	R8800C = 02D9h, R8810C = 02D9h R8820C = 02D9h, R8830C = 02D9h R8821C = 02D9h, R8800D = 84D9h R8810D = 84D9h, R8820D = 04D9h R8830D = 04D9h, R8822D = 64D9h
I/O Pin Output/Input Level	Output = 3.3V Input = 3.3V/5V tolerance	5V only
*Register PLLCON (offset = F8h)	For PLL configuration	W/O this register
*Register UMCS (offset = A0h)	UCS - wait state from 0 to 15 option	UCS - wait state from 0 to 3 option
*Register System (offset = F0h)	Extra SALEn bit (bit4) for ALE inserts wait state	Without bit4